

## Infinite WaterColors™ Nicheless LED Light with QuickConnect

This product requires AquaLink® RS (Rev Y or later)  
or AquaLink EDGE™

Essential installation and startup instructions are included in this manual.  
Additional operation and troubleshooting information is available online  
by scanning the QR code with your phone or visiting [jandy.com](http://jandy.com)



### **⚠ WARNING**

**FOR YOUR SAFETY** – This product must be installed and serviced by a contractor who is licensed and qualified in pool equipment by the jurisdiction in which the product will be installed where such state or local requirements exist. The maintainer must be a professional with sufficient experience in pool equipment installation and maintenance so that all of the instructions in this manual can be followed exactly. Before installing this product, read and follow all warning notices and instructions that accompany this product. Failure to follow warning notices and instructions may result in property damage, personal injury, or death. Improper installation and/or operation may void the warranty.

Improper installation and/or operation can create unwanted electrical hazard which may cause serious injury, property damage, or death. **DO NOT MODIFY THIS EQUIPMENT.**



**ATTENTION INSTALLER** – This manual contains important information about the installation, operation and safe use of this product. This information should be given to the owner/operator of this equipment.

# Table of Contents

<b>Section 1. Important Safety Instructions ....</b>	<b>2</b>	<b>Section 4. Connecting to Automation.....</b>	<b>9</b>
<b>Section 2. Installation .....</b>	<b>3</b>	4.1 Connected to AquaLink RS .....	9
2.1 Preparing the Light Fixture for Installation	3	4.2 Connected to	
2.2 Installing the Light Fixture .....	4	iAquaLink EDGE™ .....	9
2.3 Replacing a QuickConnect LED Light .....	5	<b>Section 5. Winterizing .....</b>	<b>9</b>
2.4 Wet Area Installations .....	6	<b>Section 6. Additional Online Content .....</b>	<b>9</b>
<b>Section 3. Controller Wiring Options.....</b>	<b>6</b>		
3.1 Wiring to AquaLink® RS Control System ..	6		
3.2 Wire Gauge and Length.....	6		
3.3 Fourteen (14) Volt Installation .....	8		

## FCC Regulatory Compliance Statement

This device complies with Part 15 of the FCC Rules. Operation is subject to the following two conditions:

1. This device may not cause harmful interference, and
2. This device must accept any interference received, including interference that may cause undesired operation.

<b>⚠ CAUTION</b>
Changes or modifications not expressly approved by the party responsible for compliance could void the user's authority to operate the equipment.

**NOTE:** This equipment has been tested and found to comply with the limits for a Class B digital device, pursuant to Part 15 of the FCC Rules. These limits are designed to provide reasonable protection against harmful interference in a residential installation. This equipment generates, uses and can radiate radio frequency energy and, if not installed and used in accordance with the instructions, may cause harmful interference to radio communications. However, there is no guarantee that interference will not occur in a particular installation. If this equipment does cause harmful interference to radio or television reception which can be determined by turning the equipment off and on, the user is encouraged to try to correct the interference by one or more of the following measures:

- Reorient or relocate the receiving antenna.
- Increase the separation between the equipment and receiver.
- Connect the equipment into an outlet on a circuit different from that to which the receiver is connected.
- Consult the dealer or an experienced radio/TV technician for help.

### Section 1. Important Safety Instructions

## IMPORTANT SAFETY INSTRUCTIONS PERTAINING TO A RISK OF FIRE, ELECTRIC SHOCK, OR INJURY TO PERSONS

### READ AND FOLLOW ALL INSTRUCTIONS

The Jandy Infinite WaterColors Nicheless LED Light is designed to be powered and operated with the Jandy Infinite WaterColors LED Light Controller or AquaLink EDGE™ system, the lights will not operate when powered from an alternate transformer. Follow all installation and operating instructions that accompany this product, as well as the Jandy Infinite WaterColors LED Light Controller (Model: IWCLC300W) or AquaLink EDGE™ system.

When installing and using this electrical equipment, basic safety precautions should always be followed, including the following:

**⚠ WARNING**

**RISK OF ELECTRICAL SHOCK OR ELECTROCUTION.** This underwater light must be installed by a licensed or certified electrician in accordance with the National Electrical Code® and applicable local codes and ordinances. In Canada, the Canadian Electrical Code and all applicable local codes and ordinances must be adhered to. Improper installation will create an electrical hazard, which could result in death or serious injury to pool or spa users, installers, or others due to electrical shock, and may also cause damage to property. Read and follow the specific instructions below.

**⚠ WARNING**

Before installing this underwater light, read and follow all warning notices and instructions accompanying this light. Failure to follow safety warnings and instructions can result in severe injury, death, or property damage.

**RISK OF ELECTRICAL SHOCK OR ELECTROCUTION,** which could result in serious injury or death. The Jandy Infinite WaterColors Nicheless LED Lights are only available for 14-volt AC power. For supply connection, use only the Jandy Infinite WaterColors LED Light Controller (Model: IWCLC300W) or AquaLink EDGE™ system which is an isolating low voltage power supply with ungrounded output, evaluated and listed by a Nationally Recognized Testing Laboratory (NRTL) for swimming pool use.

**⚠ CAUTION**

Except when the Jandy Nicheless Underwater LED Lights are installed in an area of the swimming pool that is not used for swimming and the lens is adequately guarded to keep any person from contacting it, the light shall be installed in or on a wall or bottom of the pool, with the top of the lens opening not less than 4 inches (102 mm) below the normal water level of the pool.

The Jandy Infinite WaterColors LED Underwater Lights are not serviceable and therefore contain no serviceable parts. In order to prevent risk of property damage and/or injury, no service should be attempted to the light in the event of a malfunction. The complete light assembly must be replaced.

**SAVE THESE INSTRUCTIONS****Section 2. Installation****⚠ WARNING****RISK OF ELECTRICAL SHOCK OR ELECTROCUTION.**

This underwater light must be installed by a licensed or certified electrician or a qualified pool technician in accordance with the National Electrical Code® (Canadian Electrical Code, in Canada) and all applicable local codes and ordinances. Improper installation will create an electrical hazard, which could result in death or serious injury to pool or spa users, installers or others due to electrical shock, and may also cause damage to property.

Always disconnect the power to the light at the circuit breaker before installing or servicing the light. Failure to do so could result in death or serious injury to technician, pool or spa users or others due to electrical shock.

**NOTE:** Jandy Nicheless Lights are Low Voltage and do not have any exposed metal and as such do not require a separate ground or bonding wire.

**2.1 Preparing the Light Fixture for Installation**

**NOTE:** The electrician must complete preparatory steps before light fixture is installed. See *Figure 1*.

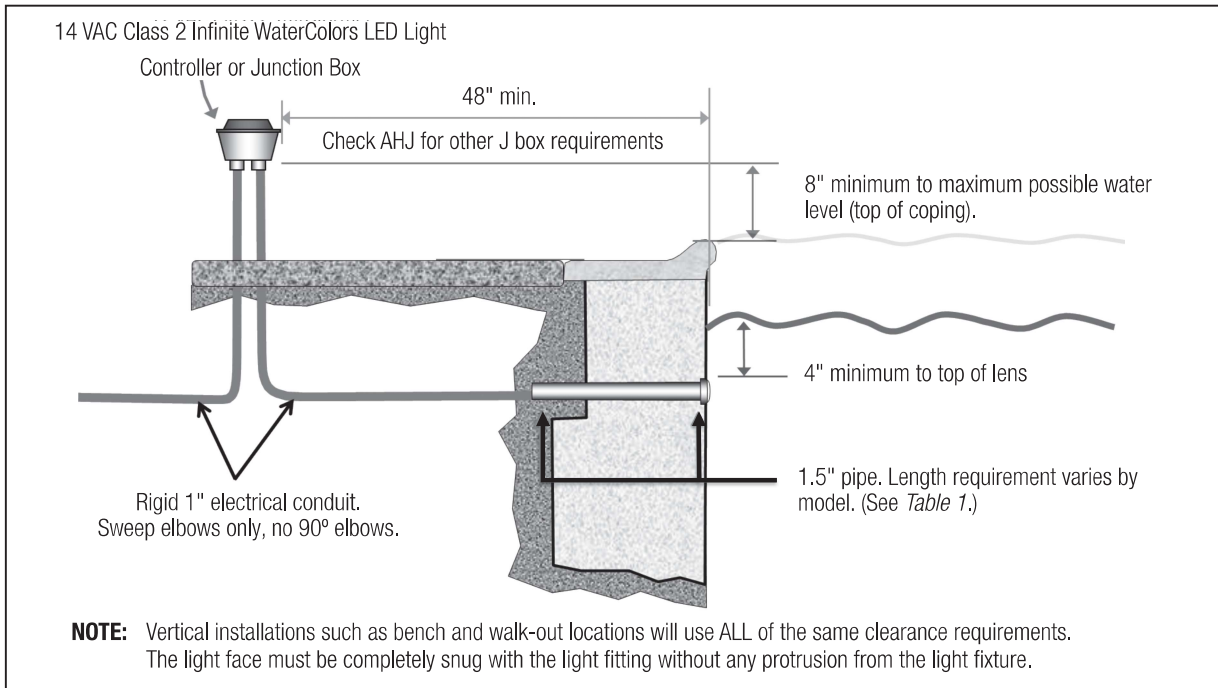
Ensure that the pool meets the requirements of the current National Electrical Code® (Canadian

Electrical Code, in Canada) and all local codes and ordinances. A licensed or certified electrician must install the electrical system to meet or exceed those requirements before the underwater light is installed. Some of the requirements of the National Electrical Code, which the pool electrical systems must meet, are as follows:

1. The junction box or Infinite WaterColors LED Light Controller is suitable for direct conduit connection to lights and must be located at least (8) inches above water level, at least four (4) inches above ground level, and at least 48 inches (4 feet) from the edge of the pool, or as required by local code. See *Figure 1*.
2. 1.5" pipe must be installed through the bond beam followed by 1" conduit for the cord using sweep elbows only for turns. Do not use 90 degree elbows. It is highly recommended to use 1.5" pipe throughout the entire width of the bond beam, however, the minimum length for the particular light being installed is specified in *Table 1*.
3. A standard 1.5" plastic wall / return fitting (not included) must be installed so that the top edge of the underwater light's lens is at least 4 inches (10.2 cm) below the surface of the water in the pool. See *Figure 1*.

**NOTE:** For optimal lighting results it is recommended to place lights 12-18" below the water line.

To be certain that the pool's electrical system meets all applicable requirements, the electrician should also consult the local building department.



**Figure 1. Jandy LED Light Installation with Standard 1.5" Plastic Fitting**

Use the chart below to determine the appropriate pipe length for your installation.

WATTS	MINIMUM LENGTH FOR 1.5" PIPE
15W/25W	10"
Cord length options: 100 ft and 200 ft	

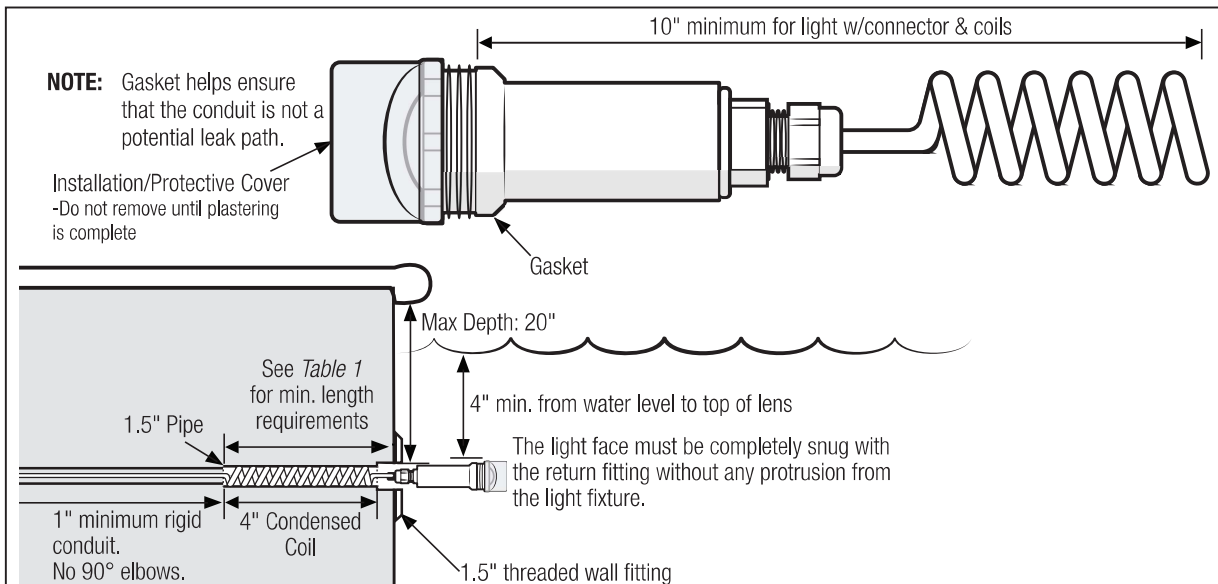
**Table 1. Jandy LED Light Minimum 1.5" pipe length**

**2.2 Installing the Light Fixture**

Jandy Infinite WaterColors LED Lights with QuickConnect include a tool-free connector for easy servicing and a coiled cable that can be stretched above the waterline (up to 22") for light removal. The QuickConnect connector is dual-sealed and fully waterproof, and it does not contain any serviceable parts.

**NOTE:** Perform these steps *only* after the electrical system requirements are met. Do not leave the QuickConnect light in direct sunlight, as this can cause the cable coils to relax and lose their shape.

1. Keep the installation/protective cover on to protect the light during installation.



**Figure 2. Standard installation with 1.5" pool wall fitting**

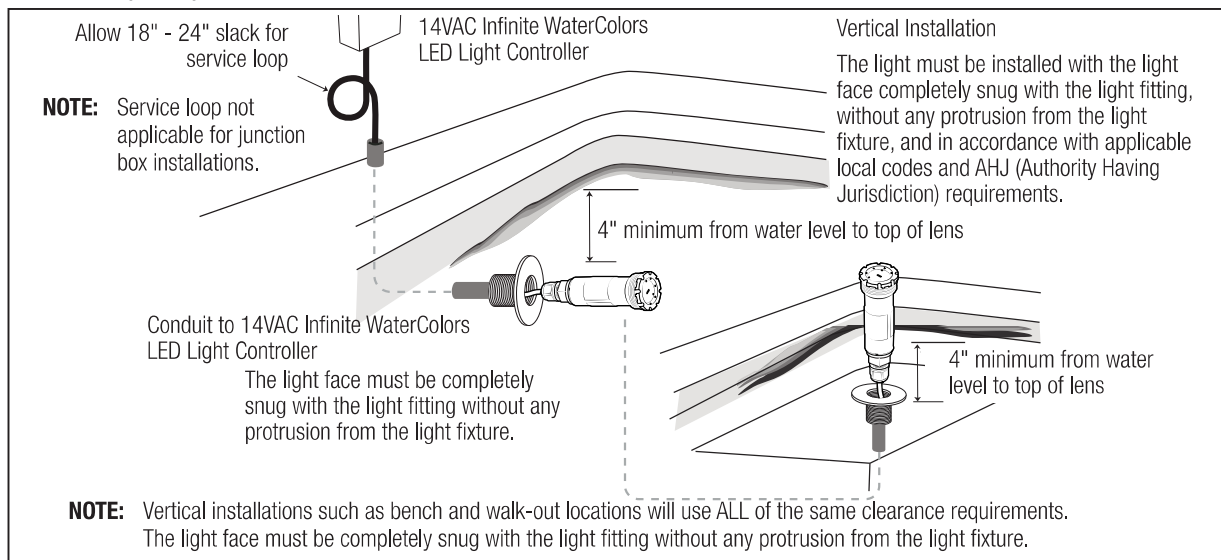
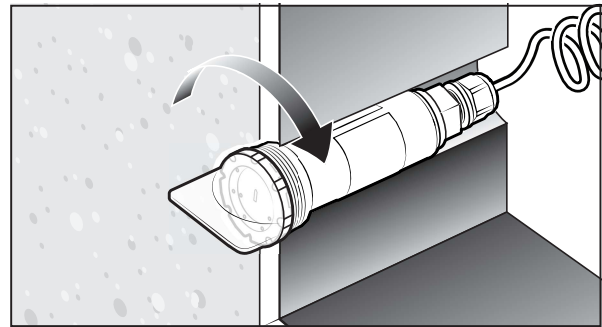
2. Snake the electric cord through the conduit outlet of the wall fitting, into the conduit and up to the location of the pool transformer.
3. Cut the cord 18"-24" beyond the length needed to reach the transformer to allow for a service loop.
4. Pull the fixture gently until you feel tension, then stop. This indicates the coils are entering the wall fitting.
5. Apply Teflon® silicone lube to threads to assist with threading. Do not apply Teflon tape.
6. Firmly hold the coils together, insert them into the wall fitting, and turn clockwise until fully seated.
7. Using the included installation/protective cover, thread the light into the wall fitting until it is snug. The light face must be completely flush with the return fitting. Please provide the pool owner with a minimum of 1 key upon job completion.

**NOTE:** Cover is translucent to allow light to shine through during testing.

8. Remove installation/protective cover after construction (including plastering for gunite pools) is complete. **Do not plaster the pool with the installation/protective cover removed.**

**NOTE:** When using a 1 1/2" MIP fitting on the back of a SP-1022 or SP-1408 Wall Fitting, the interior of the Spears and Dura MIP are too small for use with the Jandy Infinite WaterColors Nicheless LED Lights.

9. Install cosmetic cover if desired.

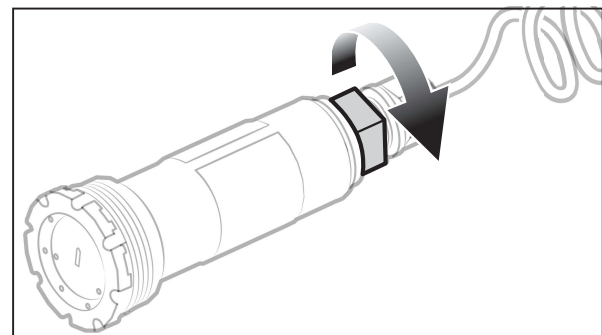


**Figure 3. Standard installation with 1.5" pool wall fitting**

### 2.3 Replacing a QuickConnect LED Light

Replacement lights are available in 15W (IWC15WQC) & 25W (IWC25WQC). Power cords are not interchangeable between light models.

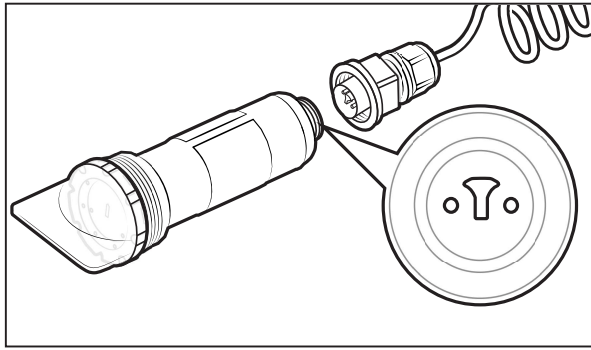
1. Use the light removal tool to unthread the light from the wall fitting.
2. Once removed from the wall fitting, pull the light above the waterline.
3. Twist the QuickConnect connector counterclockwise until completely loosened and pull on the light to disconnect it from the QuickConnect connector, (See Figure 4). Do not use tools to twist the connector. Twist by hand only.



**Figure 4. Disconnect Light**

4. Align the pins and key on the replacement light and push the light into the connector. Twist the QuickConnect connector clockwise by hand until completely tight, (See Figure 5).

**NOTE:** The **red band on the QuickConnect** connector's threads will disappear when the connector is fully tightened by hand.



**Figure 5. Reconnect Light**

5. Apply Teflon silicone lube to threads on light to assist with threading. Do not apply Teflon tape.
6. Compress the coils by hand, then carefully insert the coiled cable back into the wall fitting.

**NOTE:** The coils may require careful adjustment and reshaping to restore their original configuration before reinsertion into the wall fitting.

7. Using the included installation/protective cover, thread the light into the wall fitting until it is snug and the light face is flush with the return fitting.
8. Remove installation/protective cover. Install cosmetic cover if desired.

**2.4 Wet Area Installations**

For wet area lighting within 10 feet (3 m) of a pool or spa, the luminaire shall be installed in areas not subject to incidental contact from people, pets, vehicles, and foot traffic, except when the luminaire is adequately guarded.

**Section 3. Controller Wiring Options**

**⚠ WARNING**

**RISK OF ELECTRIC SHOCK WHICH CAN RESULT IN SERIOUS INJURY OR DEATH:** Before attempting to install or service, ensure that all power to the circuit supplying power to the system is disconnected or tuned off at the circuit breaker. All wiring must be done in accordance with the National Electrical Code® (NEC)®, NFPA70.

In Canada, the Canadian Electrical Code (CEC), CSA C22.1, must be followed. All applicable local installation codes and regulations must be followed.

The Jandy Infinite WaterColors Nicheless LED Light is designed to be powered and operated by either the Jandy Infinite WaterColors LED Light Controller (IWCLC300W) up to 240W or the Jandy Infinite WaterColors Light Module (IWCLMODULE) up to 150W when paired with AquaLink EDGE. AquaLink RS (revision Y or later) or AquaLink EDGE is required for operation; the lights will not operate when powered from an alternate transformer. Follow all installation

and operating instructions that accompany this product, as well as the Jandy Infinite WaterColors LED Light Controller (Model: IWCLC300W).

**NOTE:** Always consider the cable length when calculating the input voltage at the transformer. The maximum run of service between transformer and lights should not exceed 200 ft. in length, inclusive of the use of a J-Box or not.

To the extent allowed by local installation codes in effect in the installation jurisdiction and capacity of the electrical equipment, multiple Jandy lights may be controlled with one Infinite WaterColors LED Light Controller.

**AquaLink® RS will support control of up to 4 Infinite WaterColors Light Controllers per system. AquaLink EDGE™ will support up to 8 per system. Each controller will support communication with up to 16 (15W) and 9 (25W) lights. Ensure the combined light wattage does NOT exceed 240W per controller.**

**3.1 Wiring to AquaLink® RS Control System**

**⚠ WARNING**

**RISK OF ELECTRICAL SHOCK OR ELECTROCUTION,** which could result in serious injury or death. The Jandy Infinite WaterColors Nicheless LED Lights are only available for 14-volt AC power. For supply connection, use only the Jandy Infinite WaterColors LED Light Controller which is an isolating low voltage power supply with ungrounded output, evaluated and listed by a Nationally Recognized Testing Laboratory (NRTL) intended for use with submersible luminaires for swimming pool use.

The Jandy Infinite WaterColors Nicheless LED Lights must be controlled by the Infinite WaterColors LED Light Controller and AquaLink RS (revision Y or later) automation system.

Refer to *Figure 6 or 7* for wiring the Infinite WaterColors LED Lights to the LED Light Controller. Refer to the Infinite WaterColors LED Light Controller manual for connecting to the AquaLink RS automation system.

1. Knock out an opening in the right compartment.
2. Run low voltage light through a conduit connector and secure to the enclosure.
3. Connect the low voltage wires, black wire to orange wire and white wire to orange wire, see *Figure 6 or 7*.

**3.2 Wire Gauge and Length**

**⚠ CAUTION**

Jandy Nicheless Underwater LED Lights are low voltage fixtures. Improper wire gauge and wire length can effect the performance of these products. Follow the guidelines below to determine the proper operation and optimum performance of the lights.

The output voltage of the Infinite WaterColors LED Light Controller is 14 VAC to accommodate the voltage drop across cords up to 200 ft. Installations should not exceed 200 ft.

**NOTE:** Each color mode has a slightly different power draw.

The light controller is either a AquaLink RS compatible or AquaLink RS/EDGE compatible model, which you can determine by looking for an antenna or counting the status LEDs on the PCBA.

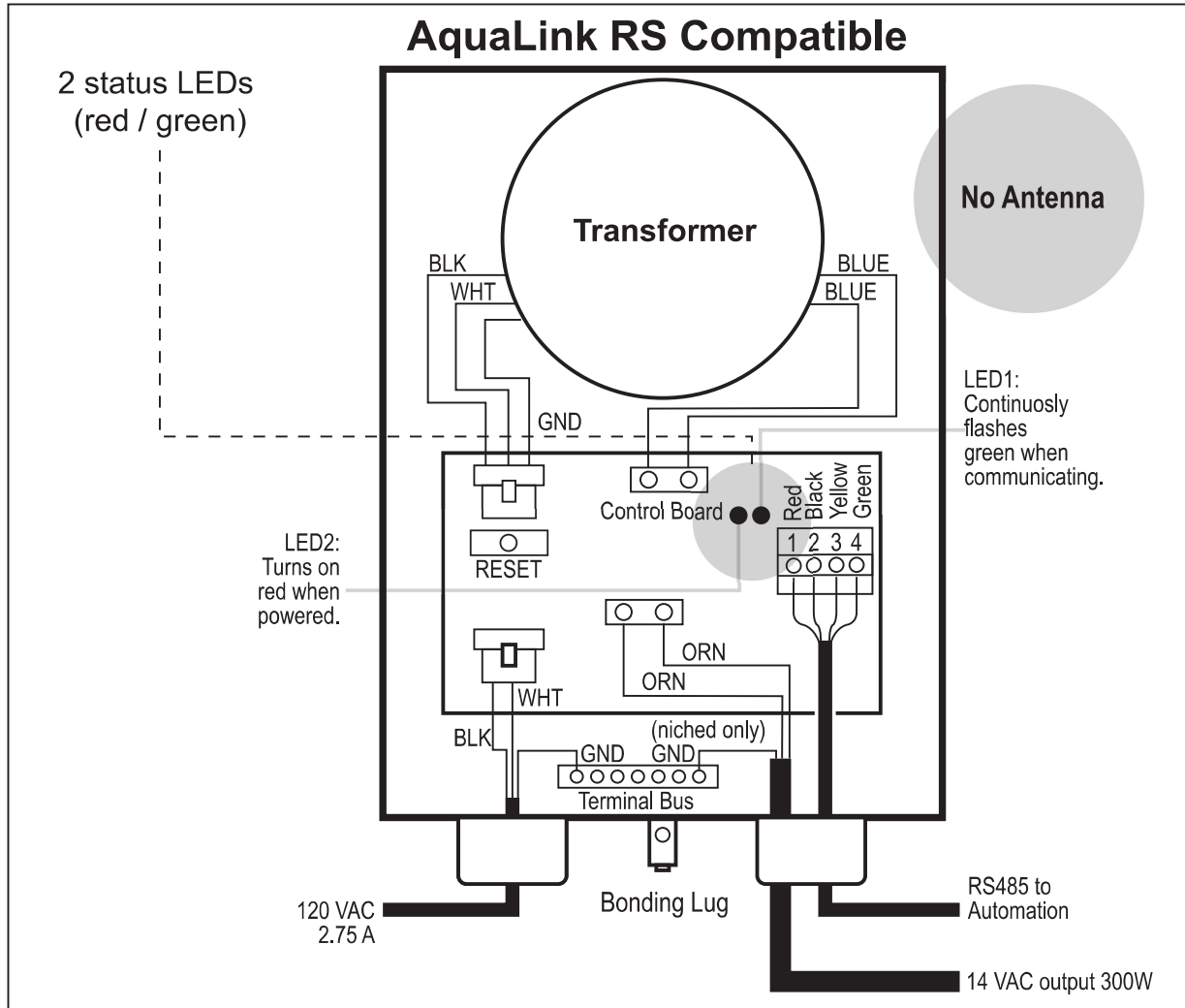
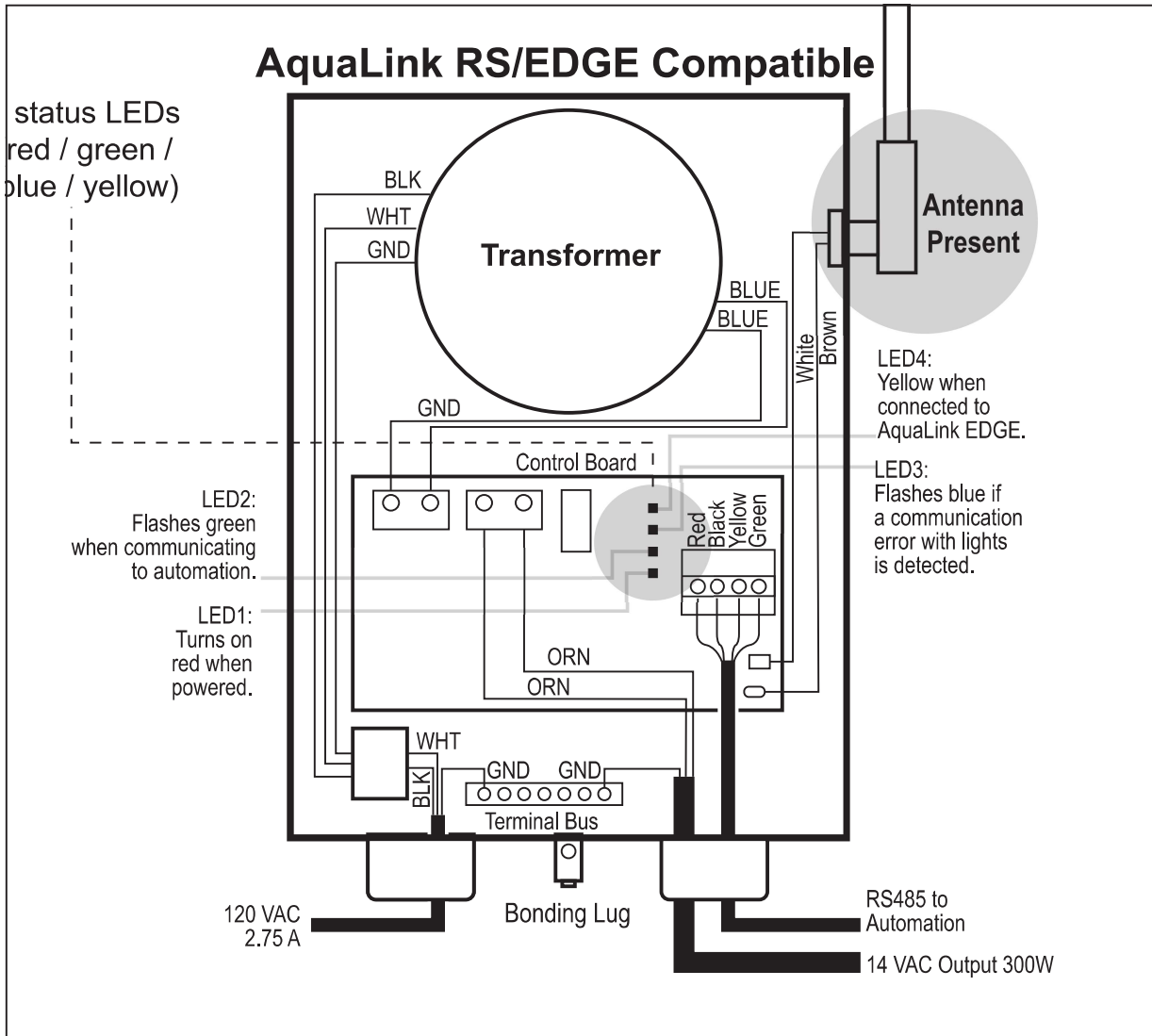


Figure 6. Wiring LED Lights to the Infinite WaterColors Light Controller - AquaLink RS Compatible



**Figure 7. Wiring LED Lights to the Infinite WaterColors LED Light Controller - AquaLink RS/EDGE Compatible**

### 3.3 Fourteen (14) Volt Installation

The Infinite WaterColors LED Light Controller or Infinite WaterColors Light Module (when paired with AquaLink EDGE) is required to power Infinite WaterColors Lights.

**NOTE:** For optimum performance do not exceed the load factor specified by the instructions included with the transformer.

To ensure maximum safety, use only the Jandy Infinite WaterColors LED Light Controller (Model: IWCLC300W) or the Jandy Infinite WaterColors Light Module (Model: IWCLMODULE) when paired with AquaLink EDGE.

**NOTE:** The **Jandy Infinite WaterColors LED Lights** will not operate properly with light dimmers. *Do not wire the Jandy Lights to any dimming circuitry.*

DO NOT CONNECT TWO OR MORE LED LIGHT CONTROLLER IN PARALLEL.

## ⚠ CAUTION

To prevent risk of fire which could result in property damage, and to ensure optimum performance, do not exceed the load factor specified in the instructions provided in the Infinite WaterColors LED Light Controller Installation and Operation Manual.

## Section 4. Connecting to Automation

This product requires connection to either Jandy AquaLink® RS (Rev Y or later), or AquaLink EDGE™. The programming is different based on which automation system is being used.

For information on features and setting up lights with the iAquaLink® App, please refer to the online manual.

### 4.1 Connected to AquaLink RS

#### 4.1.1 Light Setup

1. Open the app on your device.
2. From My Systems page, select your pool.
3. From the home page, choose the cog system icon on the top right and select System Setup.

- **Assign Lights**

**NOTE:** For AquaLink® RS systems with multiple Jandy® Infinite WaterColors™ LED Light Controllers, ensure only one controller is powered at a time when assigning lights to minimize risk of crosstalk between units.

1. From the System Setup page, select Light Setup and Assign Lights.
2. From the Assign Lights pop up, choose proceed to continue the process.
3. On the Light Zone Setup page, select a light in order to move it to a different zone. Selected light will flash the color of the zone it's currently assigned to. Follow further instructions in the app.

**NOTE:** Default zone colors include: zone 1 (green), zone 2 (white), zone 3 (red), and zone 4 (blue).

When exiting the Light Zone Setup page, the lights will turn off.

Lights have to be assigned to a zone in order to rename the zone.

- **Name Light Zones**

1. Go to > System Setup > Light Setup > Zone Name.
2. From the Edit Zone Name pop up, enter the zone name and choose OK.

#### 4.1.2 Turn Lights On/Off

1. Open the app on your device.
2. From My Systems page, select your pool.
3. Choose the equipment page.
4. Turn zone lights on/off by tapping the toggle to the right of the desired zone.

**NOTE:** Ability to turn light zones on/off is only done through the app.

#### 4.1.3 Select Colors

1. Open the app on your device.
2. From My Systems page, select your pool.

- **Select Custom Color**

1. Go to > equipment page.
2. From the equipment page, choose the zone you want to change color.

3. From that zones page, choose Custom Color.
4. Choose your custom color from the color wheel.
5. Choose Apply to apply the custom color to your zone.

- **Preset Colors**

1. Go to the equipment page and select the zone you want to change color.
2. After selecting the zone, choose from the list of preset colors to apply that preset color to your zone.

- **Preset Color Shows**

1. From equipment page, choose the zone you want to change color.
2. After selecting the zone, then choose from the list of preset color shows to apply that preset color show to your zone.

#### 4.1.4 Adjust Brightness

1. From the equipment page, select the sun icon on the zone where you want to adjust the brightness.
2. Move the slider bar up or down with your finger and then click apply to change the brightness.

### 4.2 Connected to AquaLink EDGE™

#### 4.2.1 Light Setup

Navigate to the light assignment center in the EDGE display. Follow the on-screen instruction to set up lights. Light controls are grouped inside spaces.

#### 4.2.2 Turn Lights On/Off

To turn lights on enter the space and select the light group. Follow the on-screen instructions to achieve the desired effect.

#### 4.2.3 Select Colors

To select colors enter the space and select the light group. Follow the on-screen instructions to achieve the desired effect.

## Section 5. Winterizing

Consult a Local Swimming Pool Professional for proper winterization. At NO TIME should there be water removed from the pool without checking ground water tables.

Do not keep the winter water level at the level of the light. Make certain that the water level is left at least 4" or more above or below the light depending on the pool's other winterization needs.

## Section 6. Additional Online Content

For information on the following, please refer to the online manual:

- Product Overview
- Product Contents
- OneTouch Setup (AquaLink RS only)
- Amazon® Alexa® Light Control (AquaLink RS only)
- Online content for EDGE
- Troubleshooting

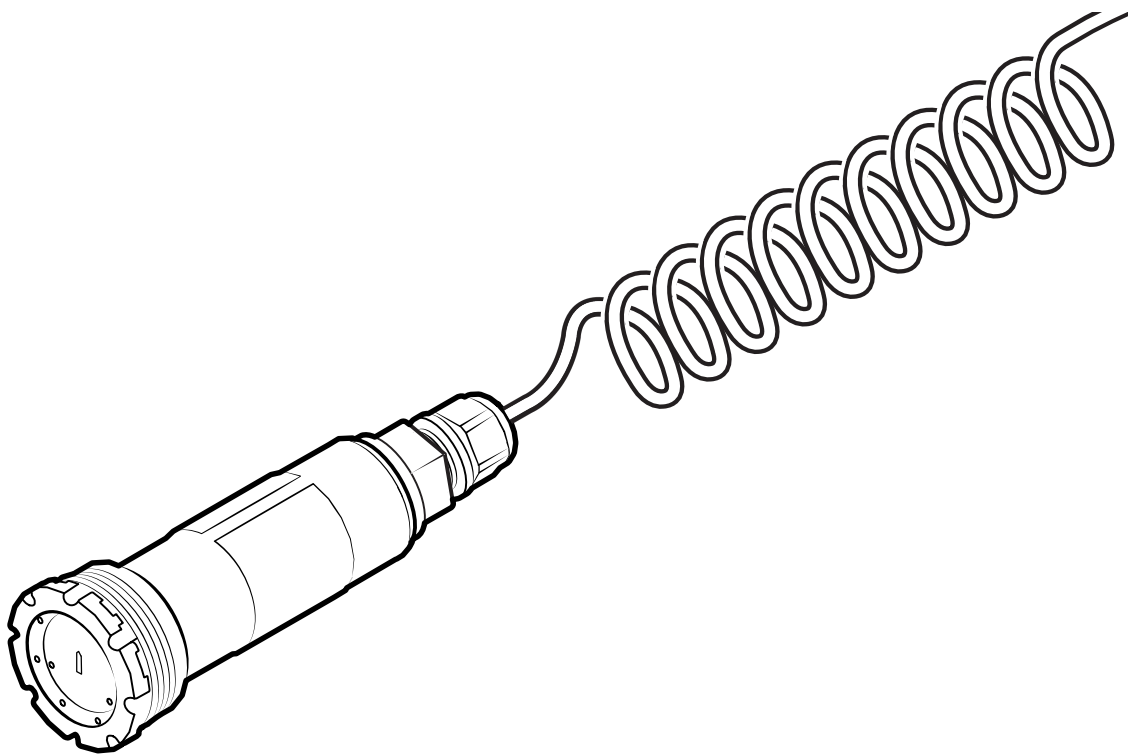
**A Fluidra Brand** | Jandy.com | Jandy.ca  
2882 Whiptail Loop # 100, Carlsbad, CA 92010, USA | 1.800.822.7933  
2-3365 Mainway, Burlington, ON L7M 1A6, Canada | 1.800.822.7933

©2026 Fluidra. All rights reserved. The trademarks and trade names used herein are the property of their respective owners. Amazon, Alexa and all related marks are trademarks of Amazon.com, Inc. or its affiliates.

H0919500\_REVC



ETL LISTED  
CONFORMS TO  
UL STD 676  
CERTIFIED TO CAN/  
CSA C22.2 No.89



## Luminaire à DEL sans niche Infinite Watercolors™ avec QuickConnect

Ce produit nécessite AquaLink® RS (révision Y ou ultérieure) ou AquaLink EDGE™

Les instructions d'installation élémentaires et de démarrage sont incluses dans ce manuel. Des informations supplémentaires sur le fonctionnement et le dépannage sont disponibles en ligne en balayant le code QR avec votre téléphone ou en visitant [jandy.com](http://jandy.com).



### **⚠ AVERTISSEMENT**

**POUR VOTRE SÉCURITÉ** – Ce produit doit être installé et entretenu par un entrepreneur qualifié en équipements de piscine disposant d'un permis délivré par la juridiction dans laquelle le produit est installé lorsque de telles exigences étatiques ou locales existent. L'agent d'entretien doit être un professionnel disposant de suffisamment d'expérience dans l'installation et l'entretien de l'équipement de piscine, afin de s'assurer que toutes les directives du présent manuel sont scrupuleusement respectées. Avant d'installer ce produit, lire et suivre tous les avertissements et toutes les directives qui accompagnent ce produit. Tout non-respect des instructions d'avertissement peut entraîner des dommages matériels, des blessures corporelles ou même la mort. Une mauvaise installation ou utilisation annule la garantie.

Une mauvaise installation ou utilisation peut engendrer un danger électrique pouvant entraîner des dommages matériels ou des blessures graves, voire mortelles. **NE PAS MODIFIER CET ÉQUIPEMENT.**



**ATTENTION INSTALLATEUR** – Le présent manuel contient des informations importantes sur l'installation, le fonctionnement et l'utilisation sécuritaire de ce produit. Ces informations doivent être transmises au propriétaire ou à l'utilisateur de cet équipement.

## Table des matières

<b>Section 1. Consignes de sécurité importantes .....</b>	<b>10</b>	3.2 Calibre et longueur du fil.....	14
<b>Section 2. Installation .....</b>	<b>11</b>	3.3 Installation pour quatorze (14) volts.....	15
2.1 Préparation pour l'installation du luminaire .....	11	<b>Section 4. Caractéristiques de l'application iAquaLink .....</b>	<b>15</b>
2.2 Installation des luminaires .....	13	4.1 Configuration de l'éclairage.....	15
2.3 Installation dans une zone mouillée.....	13	4.2 Éteindre et allumer les lumières.....	15
<b>Section 3. Options de câblage du contrôleur .....</b>	<b>13</b>	4.3 Sélectionner les couleurs.....	15
3.1 Câblage à un système de commande AquaLink RS .....	14	4.4 Réglage de la luminosité.....	15
		<b>Section 5. Hivernage.....</b>	<b>15</b>
		<b>Section 6. Contenu complémentaire en ligne Content .....</b>	<b>16</b>

## Déclaration de conformité réglementaire FCC

Ce dispositif est conforme à la Partie 15 des directives FCC. Son fonctionnement est soumis aux deux conditions suivantes :

1. Cet appareil ne doit pas provoquer d'interférences nuisibles, et
2. Cet appareil doit accepter toute interférence reçue, y compris les interférences susceptibles de provoquer un fonctionnement indésirable.

### **⚠ MISE EN GARDE**

Tout changement ou modification non expressément approuvés par la partie responsable de la conformité pourrait annuler l'autorité de l'utilisateur à utiliser l'équipement.

**REMARQUE :** Cet équipement a été testé et déclaré conforme aux limites pour un appareil numérique de Classe B, conformément à la Partie 15 des directives FCC. Ces limites sont conçues pour fournir une protection raisonnable contre les interférences nuisibles dans une installation résidentielle. Cet équipement génère, utilise et peut émettre une énergie radio électrique et, s'il n'est pas installé et utilisé conformément aux instructions, peut causer des interférences nuisibles aux communications radio. Toutefois, il n'existe aucune garantie que des interférences ne se produiront pas dans une installation particulière. Si cet équipement provoque des interférences nuisibles avec la réception de radio ou de télévision, ce qui peut être déterminé en éteignant et en rallumant l'équipement, l'utilisateur peut tenter de corriger l'interférence en appliquant l'une ou plusieurs des mesures suivantes :

- Réorienter ou déplacer l'antenne de réception.
- Augmenter la distance entre l'équipement et le récepteur.
- Brancher l'équipement sur une prise différente de celle sur laquelle le récepteur est connecté.
- Consulter le revendeur ou un technicien radio/télévision expérimenté pour obtenir de l'aide.

### Section 1. Consignes de sécurité importantes

## **CONSIGNES DE SÉCURITÉ IMPORTANTES CONCERNANT LE RISQUE D'INCENDIE, DE DÉCHARGE ÉLECTRIQUE OU DE BLESSURES CORPORELLES**

### **LIRE ET SUIVRE TOUTES LES DIRECTIVES**

La lampe à DEL sans niche Jandy Infinite WaterColors est conçue pour être alimentée et utilisée avec le contrôleur de lampe à DEL Jandy Infinite WaterColors ou le système AquaLink EDGE™. Les lampes ne fonctionneront pas si elles sont alimentées par un autre transformateur. Suivez toutes les instructions d'installation et d'utilisation fournies avec ce produit, ainsi que celles du contrôleur de lumière à DEL Jandy Infinite WaterColors (Modèle : IWCLC300W) ou système AquaLink EDGE™.

Lors de l'installation et de l'utilisation de cet équipement électrique, les consignes de sécurité élémentaires doivent toujours être respectées, notamment les mises en garde suivantes :

**⚠ DANGER**

**RISQUE DE DÉCHARGE ÉLECTRIQUE OU D'ÉLECTROCUTION.** Ce luminaire subaquatique doit être installé par un électricien agréé ou accrédité, conformément au National Electrical Code® et aux normes et règlements locaux applicables. Au Canada, le Code canadien de l'électricité, les règlements et les ordonnances doivent être respectés. Une installation inadéquate créera des risques électriques qui pourraient entraîner la mort ou des blessures corporelles graves aux utilisateurs de la piscine ou du spa, aux installateurs ou à d'autres en raison d'une décharge électrique, en plus de causer des dommages à la propriété. Veuillez lire et suivre les instructions précises ci-dessous.

**⚠ AVERTISSEMENT**

Avant d'installer ce luminaire subaquatique, veuillez lire et suivre tous les avertissements et toutes les directives qui accompagnent le produit. Omettre de suivre les mises en garde et les instructions pourrait entraîner des blessures corporelles graves, la mort ou des dommages à la propriété.

**RISQUE DE DÉCHARGE ÉLECTRIQUE OU D'ÉLECTROCUTION,** qui pourrait entraîner des blessures corporelles graves ou la mort. Les lampes à DEL sans niche Jandy Infinite WaterColors sont uniquement disponibles pour une alimentation de 14 volts à CA. Pour le raccordement à l'alimentation, utilisez uniquement le contrôleur de lumière à DEL Jandy Infinite WaterColors (Modèle : IWCLC300W) ou le système AquaLink EDGE™ qui est une alimentation basse tension isolante avec sortie non mise à la terre, évaluée et homologuée par un laboratoire d'essais reconnu à l'échelle nationale pour une utilisation dans les piscines.

**⚠ MISE EN GARDE**

En dehors des cas où les luminaires à DEL subaquatiques sans niche Jandy sont installés dans une zone de la piscine qui n'est pas utilisée pour la natation et où la lentille est bien protégée pour que personne n'y touche, le luminaire sera installé sur ou dans un mur ou en bas de la piscine, avec le dessus de l'ouverture de la lentille au moins à 102 mm (4 pouces) sous le niveau normal de l'eau de la piscine.

Les luminaires DEL subaquatiques Jandy Infinite WaterColors ne sont pas réparables. Par conséquent, aucune pièce ne nécessite l'entretien. Pour prévenir les dommages matériels ou les blessures, aucun entretien ne devrait être fait sur le luminaire en cas de défectuosité. L'assemblage du luminaire doit être remplacé.

**CONSERVER CES DIRECTIVES****Section 2. Installation****⚠ AVERTISSEMENT**

**RISQUE DE DÉCHARGE ÉLECTRIQUE OU D'ÉLECTROCUTION.** Ce luminaire subaquatique doit être installé par un électricien agréé ou accrédité ou par un technicien qualifié en piscine, conformément au National Electrical Code® (au Canada, le Code canadien de l'électricité) et aux normes et règlements locaux applicables. Une installation inadéquate générera des risques électriques qui pourraient entraîner la mort ou des blessures corporelles graves aux utilisateurs de la piscine ou du spa, aux installateurs ou à d'autres en raison d'une décharge électrique, en plus de causer des dommages à la propriété.

Toujours déconnecter l'alimentation du luminaire au disjoncteur avant d'installer ou d'entreprendre l'entretien du luminaire. Omettre de le faire pourrait entraîner la mort ou des blessures corporelles graves à la personne qui en fait l'entretien, aux utilisateurs de la piscine ou du spa ou à d'autres en raison d'une décharge électrique.

**REMARQUE:** Les luminaires sans niche Jandy sont à basse tension et n'ont pas de pièces métalliques exposées. Par conséquent, ils ne requièrent donc pas un file de masse ou un fil de connexion.

**2.1 Préparation pour l'installation du luminaire**

**REMARQUE :** L'électricien doit compléter les étapes préparatoires avant d'installer le luminaire. Reportez-vous à la *Figure 1*.

Vérifiez que la piscine répond aux exigences du Code national de l'électricité® (Code canadien de l'électricité) en vigueur. Code de l'électricité, au Canada) et tous les codes et ordonnances locaux. Avant d'installer le luminaire subaquatique, un électricien agréé ou accrédité doit installer le système électrique de manière à atteindre ou dépasser ces exigences. Certaines des exigences du Code national de l'électricité auxquelles les systèmes électriques des piscines doivent répondre sont les suivantes :

1. La boîte de jonction ou le contrôleur de luminaire à DEL Infinite WaterColors, doit être indiquée pour une connexion directe par conduit aux luminaires et située au moins à huit (8) pouces au-dessus du niveau de l'eau, au moins à quatre (4) pouces au-dessus du niveau du sol et au moins à 48 pouces (4 pieds) du bord de la piscine, ou tel que requis par le code local. Reportez-vous à la *Figure 1*.
2. Un tuyau de 3,8 cm (1,5 po) doit être installé à travers la poutre de liaison suivi d'un conduit de 2,5 cm (1 po) pour le cordon en utilisant les coudes uniquement pour les courbes. Ne pas utiliser de coudes à 90 degrés. Il est fortement recommandé d'utiliser un tuyau de 3,80cm (1,5 po) sur toute la largeur de la poutre d'attache. Toutefois, la longueur minimale pour le luminaire en cours d'installation est indiquée dans le *Tableau 1*.

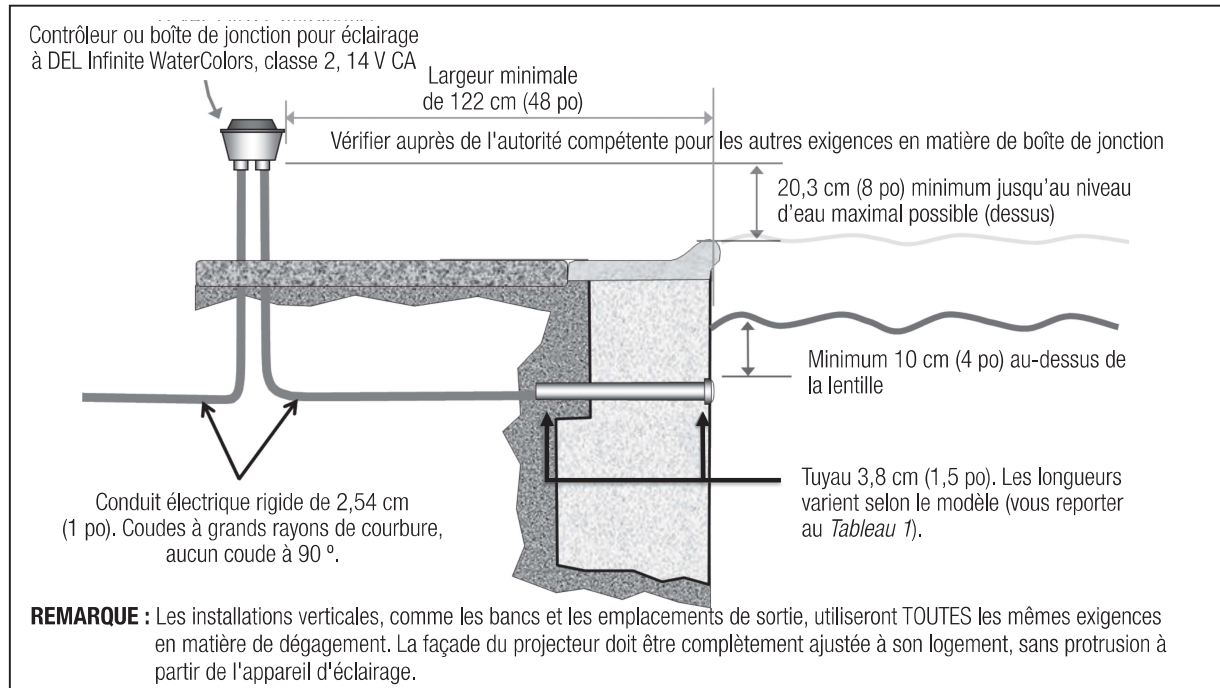


Figure 1. Installation du luminaire à DEL Jandy avec raccord en plastique standard de 3,8 cm (1,5 po)

3. Une applique murale ou une buse de refoulement standard de 3,8 cm (1,5 po) en plastique (non fournie) doit être installée de façon à ce que le bord supérieur du luminaire subaquatique soit au moins à 10,2 cm (4 po) sous la surface de l'eau de la piscine. Reportez-vous à la *Figure 1*.

**REMARQUE :** Pour un éclairage optimal, nous recommandons d'installer les luminaires de 30,5 à 45,7 cm (12 à 18 po) sous la ligne de flottaison. Pour s'assurer que le système électrique de la piscine répond à toutes les exigences applicables, l'électricien devrait également consulter le service du bâtiment local.

Utiliser le diagramme ci-dessous pour déterminer la longueur adéquate du tuyau à être installé.

WATTS	LONGUEUR MINIMALE DU TUYAU DE 3,8 cm (1,5 po)
15W/25W	5 cm (10 po)
Options de longueur de corde : 100 pieds et 200 pieds	

Tableau 1. Longueur minimale du tuyau de 3,8 cm (1,5 po) du luminaire à DEL Jandy

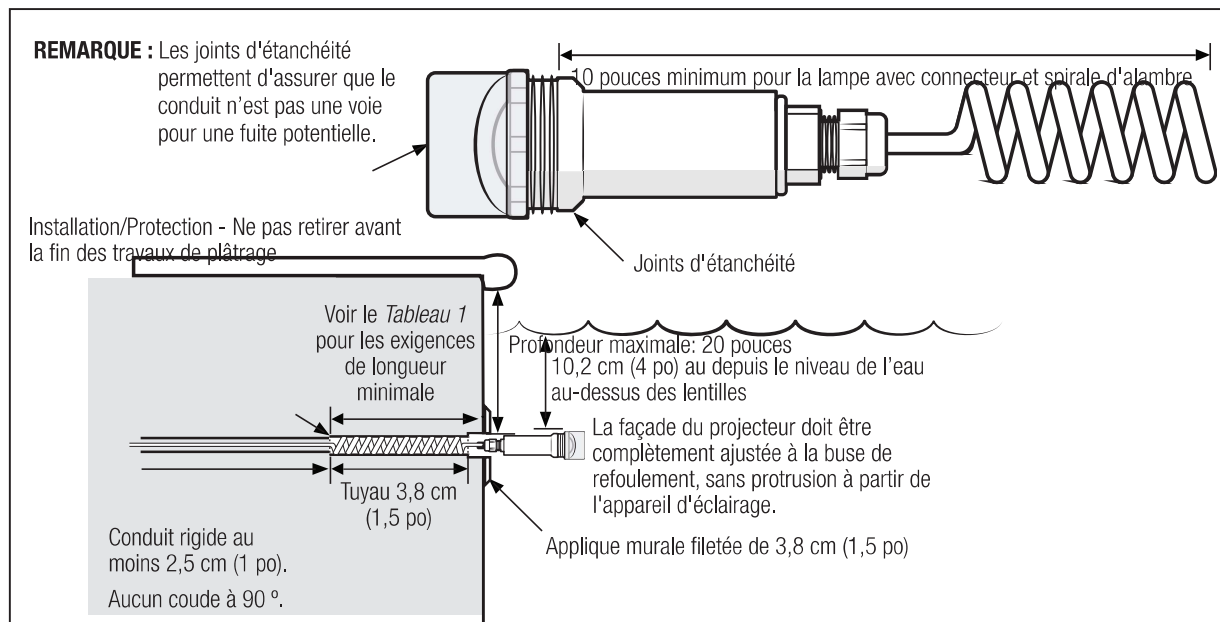


Figure 2. Installation standard avec une applique murale de 3,8 cm (1,5 po) pour piscine

## 2.2 Installation des luminaires

Les lumières à DEL Jandy Infinite WaterColors avec QuickConnect comprennent un connecteur sans outil pour un entretien facile et un câble enroulé qui peut être étiré au-dessus de la ligne de flottaison (jusqu'à 22 po) pour le retrait des lumières. Le connecteur QuickConnect est à double joint et totalement étanche, et ne contient aucune pièce réparable.

**REMARQUE :** Ne pas exécuter ces étapes tant que les exigences du système électrique ne sont pas satisfaites. Ne laissez pas les lumières QuickConnect en plein soleil, car cela peut entraîner le relâchement des spires du câble et leur déformation.

1. Pour protéger le luminaire pendant l'installation, garder le couvercle protecteur sur l'appareil.
2. Faites passer le câble électrique par la sortie de conduit du luminaire mural, dans le conduit et jusqu'à l'emplacement du transformateur de piscine.
3. Coupez le câble 18 po à 24 po au-delà de la longueur nécessaire pour atteindre le transformateur afin de permettre une boucle de service.
4. Tirez doucement sur le dispositif jusqu'à sentir une tension, puis arrêtez-vous. Cela indique que les serpentins pénètrent dans le raccord mural.
5. Pour enfiler facilement, appliquer un lubrifiant au silicone TeflonMC aux filets. N'utilisez pas de ruban Téflon.
6. Maintenez fermement les spirale d'alambre,

insérez-les dans le support mural et tournez dans le sens des aiguilles d'une montre jusqu'à ce qu'elles soient complètement en place.

7. À l'aide de l'outil d'installation inclus, insérer le luminaire à l'intérieur de l'applique murale jusqu'à ce qu'il soit bien serré. La façade du luminaire doit être complètement ajustée à la buse de refoulement. Lorsque les travaux seront terminés, remettre au moins une (1) clé au propriétaire de la piscine.
8. Enlever le couvercle de protection une fois que la construction (incluant le plâtrage pour les piscines en gunite) est terminée. **Ne pas plâtrer la piscine lorsque le couvercle de construction est enlevé.**

**REMARQUE :** Lorsqu'un raccord MIP de 3,8 cm (1,5 po) est utilisé à l'arrière d'une applique murale SP-1022 ou SP-1408, l'intérieur du Spears et du Dura MIP est trop petit pour être utilisé avec les luminaires à DEL sans niche Jandy Infinite WaterColors.

9. Si désiré, installer le couvercle esthétique.

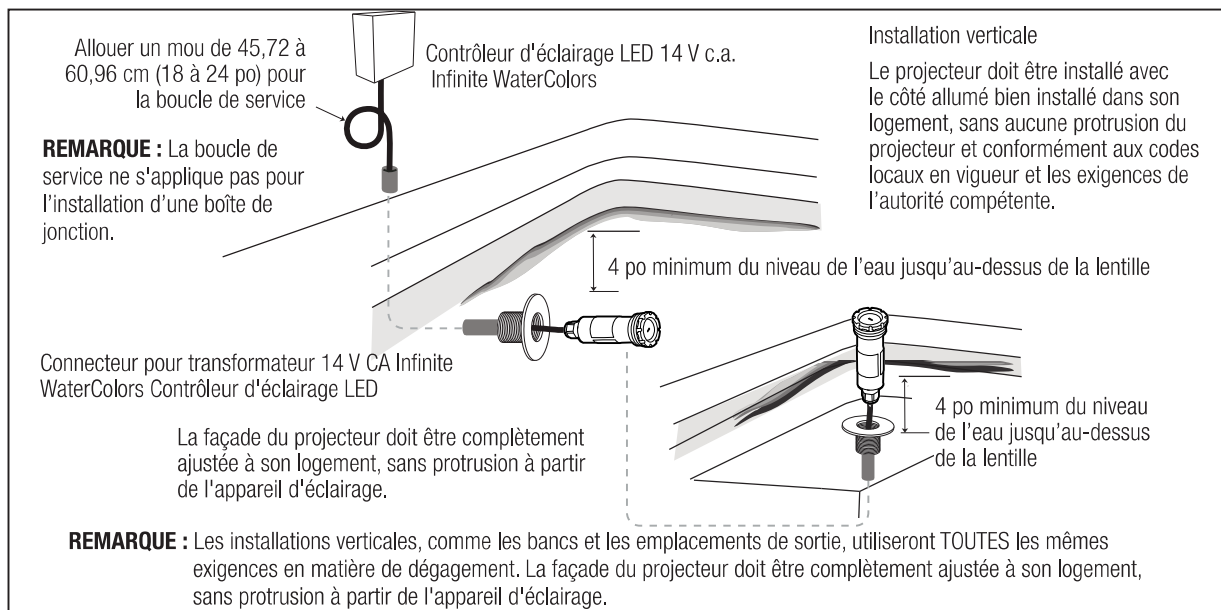
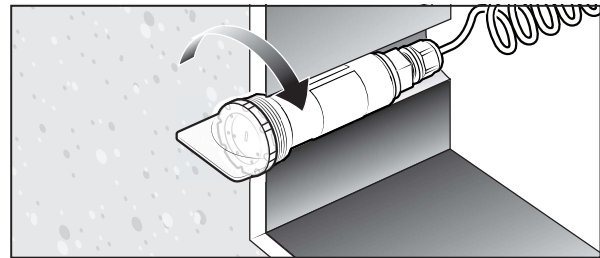


Figure 3. Installation standard avec une applique murale de 3,8 cm (1,5 po) pour piscine

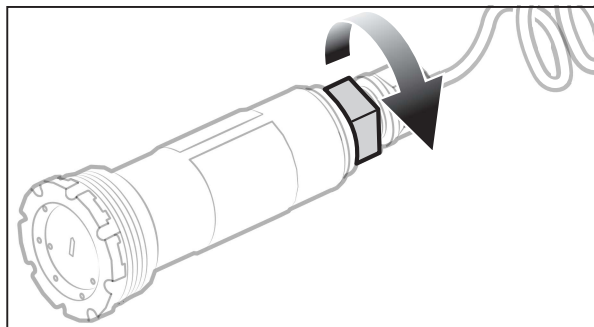
## 2.3 Remplacement d'une lampe LED QuickConnect

Les lampes de remplacement sont disponibles en 15W (IWC15WQC) et 25W (IWC25WQC). Les cordons d'alimentation ne sont pas interchangeables entre les différents modèles de lampes.

1. Utiliser l'outil de démontage pour dévisser le luminaire de la fixation murale.

2. Une fois retirée du support mural, tirer la lampe au-dessus de la ligne de flottaison.

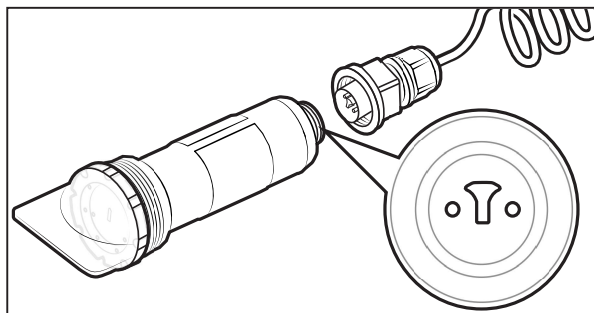
3. Tourner le connecteur QuickConnect dans le sens inverse des aiguilles d'une montre jusqu'à ce qu'il soit complètement desserré et tirer sur la lampe pour la déconnecter du connecteur QuickConnect (voir figure 4). N'utilisez pas d'outils pour tordre le connecteur. Tourner à la main uniquement.



**Figure 4. Déconnecter la lumière**

- Aligner les broches et le détrompeur de la lampe de remplacement, puis insérer la lampe dans le connecteur. Tournez le connecteur QuickConnect dans le sens horaire à la main jusqu'à ce qu'il soit complètement serré. (voir Figure 5).

**NOTE:** La bande rouge sur le filetage du connecteur QuickConnect disparaîtra lorsque le connecteur sera complètement serré.



**Figure 5. Reconnecter la lumière**

- Appliquer du lubrifiant silicone Teflon sur le filetage de la lampe pour faciliter le vissage. N'utilisez pas de ruban Téflon.
- Comprimer les spires à la main, puis réinsérez soigneusement le câble enroulé dans le support mural.

**REMARQUE :** Il peut être nécessaire d'ajuster et de remodeler soigneusement les serpentins afin de leur redonner leur configuration d'origine avant de les réinsérer dans le support mural.

- À l'aide du cache d'installation/de protection fourni, visser le luminaire dans le support mural jusqu'à ce qu'il soit bien ajusté et que la face du luminaire soit alignée avec le support de retour.
- Retirer le film protecteur. Installer un cache cosmétique si désiré.

## 2.4 Installation dans une zone mouillée

Pour l'éclairage des zones humides à moins de 3 m (10 pieds) d'une piscine ou d'un spa, le luminaire doit être installé dans des zones ne risquant pas d'être soumises à un contact accidentel avec des personnes, des animaux domestiques, des véhicules ou des piétons, sauf lorsque le luminaire est correctement protégé.

## Section 3. Options de câblage du contrôleur

### ⚠ WARNING

**RISQUE D'ÉLECTROCUTION POUVANT ENTRAÎNER DES BLESSURES GRAVES OU LA MORT :** Avant toute tentative d'installation ou d'entretien, assurez-vous que l'alimentation du circuit alimentant le système est coupée ou déconnectée au niveau du disjoncteur. Tout le câblage doit être effectué conformément au Code national de l'électricité® (NEC)®, NFPA70. Au Canada, le Code canadien de l'électricité (CCE), CSA C22.1, doit être respecté. Tous les codes et réglementations d'installation locaux applicables doivent être respectés.

La lampe à DEL sans niche Jandy Infinite WaterColors est conçue pour être alimentée et utilisée soit par le contrôleur de lampe à DEL Jandy Infinite WaterColors (IWCLC300W) jusqu'à 240 W, soit par le module de lampe Jandy Infinite WaterColors (IWCLMODULE) jusqu'à 150 W lorsqu'il est associé à AquaLink EDGE. Le système AquaLink RS (révision Y ou ultérieure) ou AquaLink EDGE est requis pour le fonctionnement; les lampes ne fonctionneront pas si elles sont alimentées par un autre transformateur. Suivez toutes les instructions d'installation et d'utilisation fournies avec ce produit, ainsi que celles du contrôleur de lumière à DEL Jandy Infinite WaterColors (Modèle : IWCLC300W).

**REMARQUE :** Lors du calcul de la tension d'alimentation au transformateur, toujours tenir compte de la longueur du câble. La course maximale de service entre le transformateur et les projecteurs ne devrait pas dépasser une longueur de 60 m (200 pi), qu'une boîte de jonction soit utilisée ou non.

Dans la mesure permise par les codes d'installation locaux en vigueur dans la juridiction où l'installation sera faite et la capacité de l'équipement électrique, plusieurs luminaires Jandy peuvent être contrôlés à partir d'un seul commutateur de lumières DEL Infinite WaterColors. **AquaLink® RS prendra en charge le contrôle de jusqu'à 4 contrôleurs de luminaires WaterColors sur chaque système. Chaque contrôleur prendra en charge la communication de 16 (15 W) et 9 (25 W) luminaires. S'assurer que la puissance lumineuse combinée ne dépasse PAS 240 W par contrôleur.**

### 3.1 Câblage à un système de commande AquaLink RS

#### **⚠ AVERTISSEMENT**

**RISQUE DE DÉCHARGE ÉLECTRIQUE OU D'ÉLECTROCUTION** qui pourrait entraîner des blessures corporelles graves ou la mort. Les luminaires DEL sans niche Jandy Infinite sont disponibles pour une alimentation électrique de 14 volts CA uniquement. Pour une prise d'alimentation, n'utiliser qu'un contrôleur de luminaire à DEL Jandy Infinite WaterColors est une source d'alimentation à basse tension isolée avec une sortie non mise à la masse, évaluée et homologuée par un laboratoire d'essais reconnu à l'échelle nationale (NRTL) destinée à une application avec des luminaires sous-marins pour une utilisation avec les piscines.

Les luminaires à DEL sans niche Infinite Watercolors doivent être contrôlés par le contrôleur pour luminaire à DEL Infinite Watercolors et le système d'automatisation AquaLink® (révision Y ou ultérieure).

Se reporter à la *Figure 6 et 7* pour le câblage du commutateur de luminaires à DEL Infinite WaterColors. Se reporter au manuel du commutateur manuel de luminaires à DEL Infinite Watercolors pour connecter au système d'automatisation AquaLink RS.

1. Faire une ouverture dans le compartiment de droite.
2. Faire passer le luminaire à basse tension par un connecteur de conduit et la fixer au boîtier.
3. Connecter les câbles à basse tension du câble noir au câble orange et du câble blanc au câble orange, se reporter à la *Figure 6 ou 7*.

### 3.2 Calibre et longueur du fil

#### **⚠ MISE EN GARDE**

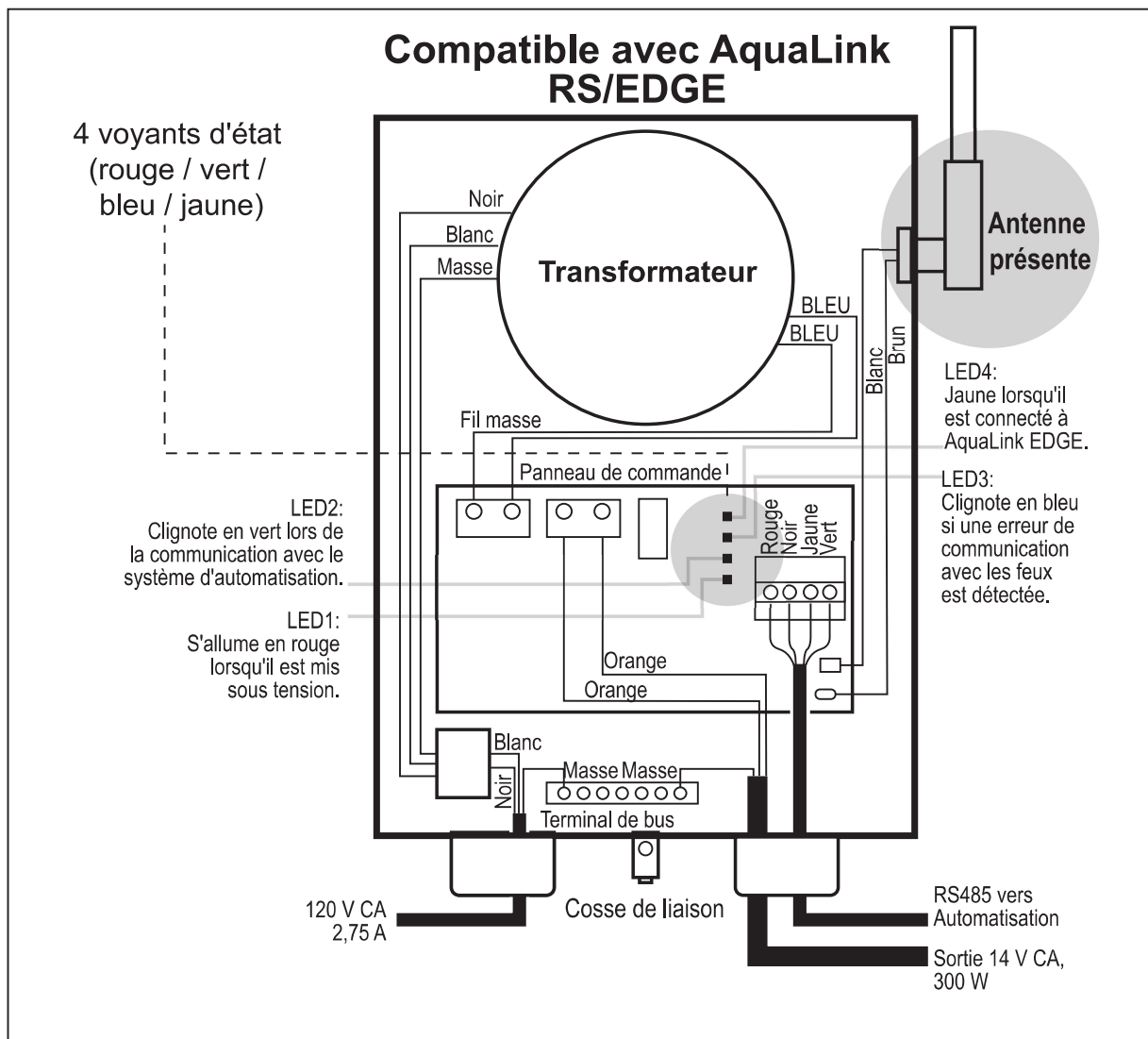
Les lumières DEL subaquatiques sans niche Jandy sont des appareils d'éclairage à basse tension. Un calibre de fil et une longueur de fil inadéquats peuvent nuire à la performance de ces produits. Veuillez suivre les lignes directrices ci-dessous pour connaître la bonne utilisation et la performance optimale des luminaires.

La tension de sortie du contrôleur pour luminaire DEL Infinite WaterColors est de 14 V CA pour tenir compte de la chute de tension dans les câbles jusqu'à 60,96 m (200 pi). Les installations ne doivent pas dépasser 60,96 m (200 pi).

**REMARQUE :** La consommation énergétique de chaque mode de couleur est légèrement différente.

Le contrôleur d'éclairage est soit un modèle compatible AquaLink RS, soit un modèle compatible AquaLink RS/EDGE, ce que vous pouvez déterminer en recherchant une antenne ou en comptant les voyants d'état sur la carte de circuit imprimé..





**Figure 7. Câblage des luminaires à DEL au contrôleur de luminaire à DEL Infinite WaterColors - Compatible avec AquaLink RS/EDGE**

### 3.3 Installation pour quatorze (14) volts

Le contrôleur d'éclairage LED Infinite WaterColors ou le module d'éclairage Infinite WaterColors (lorsqu'il est associé à AquaLink EDGE) est nécessaire pour alimenter les éclairages Infinite WaterColors.

**REMARQUE :** Pour une performance optimale, ne pas dépasser le facteur de charge spécifié dans les instructions incluses avec le transformateur.

Pour garantir une sécurité maximale, utilisez uniquement le contrôleur d'éclairage LED Jandy Infinite WaterColors (modèle : IWCLC300W) ou le module d'éclairage Jandy Infinite WaterColors (modèle : IWCLMODULE) en association avec AquaLink EDGE.

**REMARQUE :** Les luminaires à DEL Jandy Infinite WaterColors ne fonctionneront pas correctement avec les variateurs de lumière. Ne pas câbler les projecteurs Jandy à un circuit de gradation.

**NE PAS CONNECTER DEUX OU PLUSIEURS ALIMENTATIONS ÉLECTRIQUES EN PARALLÈLE.**

## ⚠ MISE EN GARDE

Pour prévenir le risque d'incendie pouvant entraîner des dommages matériels et pour s'assurer d'une performance optimale, ne pas excéder le facteur de charge indiqué dans les instructions fournies par le fabricant du transformateur.

## Section 4. Connexion à Automatisation

Ce produit nécessite une connexion à un système Jandy AquaLink® RS (version Y ou ultérieure) ou AquaLink EDGE™.

La programmation varie selon le système d'automatisation utilisé.

Pour plus d'informations sur les fonctionnalités et la configuration des éclairages avec l'application iAquaLink®, veuillez consulter le manuel en ligne.

### 4.1 Connecté à AquaLink RS

#### 4.1.1 Configuration de l'éclairage

1. Ouvrir l'application sur l'appareil
2. Depuis la page Mes systèmes, sélectionnez votre piscine.
3. Depuis la page d'accueil, choisir l'icône du système de rouages dans le coin droit en haut et sélectionner Configuration du système.

- **Assigner les lumières**

**NOTE:** Pour les systèmes AquaLink® RS équipés de plusieurs contrôleurs d'éclairage LED Jandy® Infinite WaterColors™, assurez-vous qu'un seul contrôleur est alimenté à la fois lors de l'attribution des éclairages afin de minimiser les risques d'interférences entre les unités.

1. Depuis la page de Configuration du système, sélectionner Configuration de l'éclairage et Assigner les luminaires.
2. Depuis la fenêtre contextuelle Assigner les luminaires, choisir de continuer le processus.
3. Depuis la page de Configuration de la zone d'éclairage, sélectionner un luminaire et le déplacer vers une zone différente. Le luminaire sélectionné clignotera la couleur de la zone à laquelle il est affecté. Suivre les autres instructions dans l'application.

**REMARQUE :** Les couleurs de zone par défaut incluent :  
zone 1 (vert), zone 2 (blanc), zone 3 (rouge) et zone 4 (bleu).  
En quittant la page de Configuration de la zone d'éclairage, les lumières s'éteindront.  
Les luminaires doivent être assignés à une zone afin de pouvoir renommer la zone.

- **Nommer les zones de lumière**

1. Aller à > Configuration du système > Configuration lumière > Nom zone.
2. Depuis la fenêtre contextuelle de Modification du nom de la zone, saisir le nom de la zone et cliquer sur OK.

#### 4.1.2 Éteindre et allumer les lumières

1. Ouvrir l'application sur l'appareil
2. Depuis la page Mes systèmes, sélectionnez votre piscine.
3. Choisir la page de l'équipement.
4. Éteindre et allumer les zones d'éclairage en faisant basculer vers la droite de la zone voulue.

**REMARQUE :** La fonction d'allumer et d'éteindre les zones d'éclairage se fait uniquement par l'application.

#### 4.1.3 Sélectionner les couleurs

1. Ouvrir l'application sur l'appareil
2. Depuis la page Mes systèmes, sélectionnez votre piscine.

- **Sélectionner une couleur personnalisée**

1. Aller à > Page équipement.
2. Depuis la page équipement, choisir la zone qui doit changer de couleur.
3. Depuis la page des zones, choisir la couleur personnalisée.
4. Choisir la couleur personnalisée de la roue chromatique.
5. Choisir Appliquer pour appliquer la couleur personnalisée à la zone.

- **Prédéterminer les couleurs**

1. Aller à la page équipement, sélectionner la zone qui doit changer de couleur.
2. Après avoir sélectionné la zone, choisir dans la liste de couleurs prédéterminées pour appliquer la couleur choisie à votre zone.

- **Affichages de couleurs prédéterminées**

1. Depuis la page équipement, choisir la zone qui doit changer de couleur.
2. Après avoir sélectionné la zone, choisir de la liste de spectacles de couleurs prédéterminées affichées pour appliquer la couleur choisie à votre zone.

- **Réglage de la luminosité**

1. Depuis la page de l'équipement, sélectionner l'icône du soleil sur la zone où la luminosité doit être ajustée.
2. Déplacer le curseur vers le haut ou le bas avec le doigt puis cliquer pour appliquer le changement de luminosité.

## 4.2 Connecté à AquaLink EDGE™

### 4.2.1 Configuration de l'éclairage

Accédez au centre de configuration de l'éclairage dans l'interface EDGE. Suivez les instructions à l'écran pour configurer les éclairages. Les commandes d'éclairage sont regroupées par espace.

### 4.2.2 Éteindre et allumer les lumières

Pour allumer les lumières, entrez dans la pièce et sélectionnez le groupe de lumières. Suivez les instructions affichées à l'écran pour obtenir l'effet souhaité.

### 4.2.3 Sélectionner les couleurs

Pour sélectionner les couleurs, accédez à l'espace dédié et sélectionnez le groupe d'éclairage. Suivez les instructions à l'écran pour obtenir l'effet souhaité.

## Section 5. Hivernage

Consulter un professionnel local de la piscine pour le bon hivernage. EN AUCUN CAS de l'eau ne doit être enlevée de la piscine sans au préalable avoir vérifié le niveau phréatique.

En hiver, ne pas garder le niveau d'eau au même niveau que celui du luminaire. S'assurer que le niveau de l'eau se trouve au moins à 10,16 cm (4 po) ou plus au-dessus ou en dessous du luminaire, en fonction des autres besoins d'hivernage de la piscine.

## Contenu complémentaire en ligne Content

Pour des informations sur ce qui suit, veuillez vous référer au manuel en ligne :

- Aperçu du produit
- Contenu du produit
- Configurer Onetouch
- Contrôle de luminaires par Alexa d'Amazon
- Dépann

---

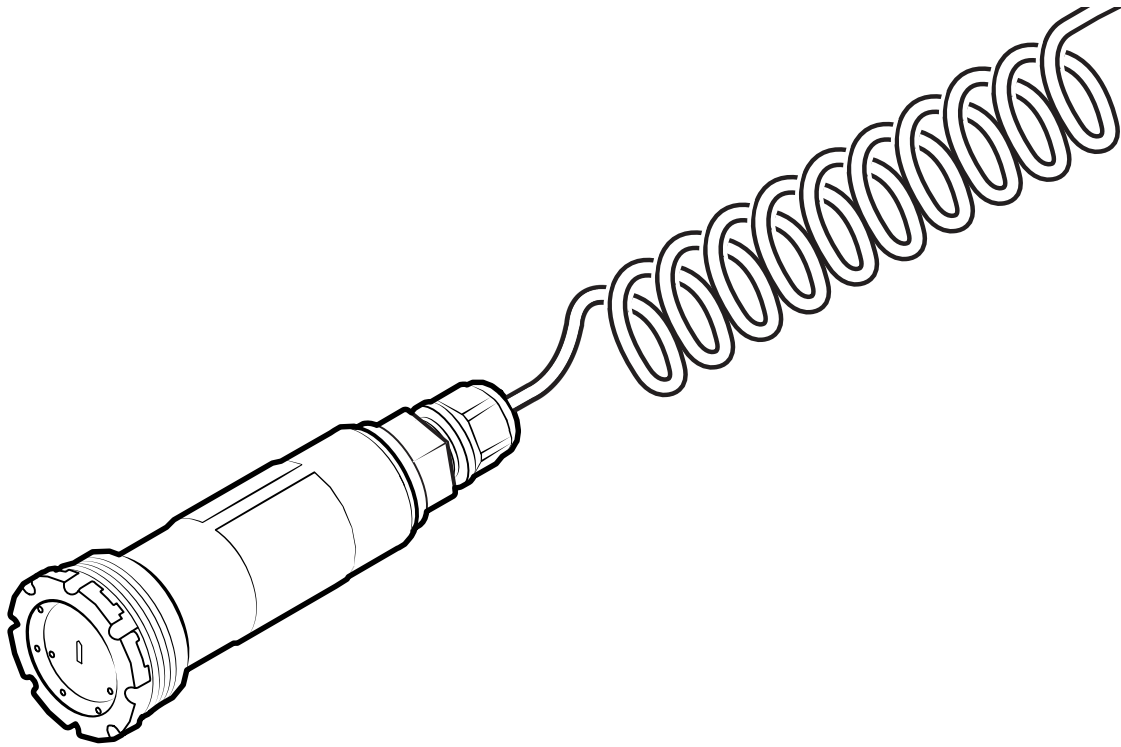
Une marque Fluidra | Jandy.com | Jandy.ca  
2882 Whiptail Loop # 100, Carlsbad, CA 92010, États-Unis | 1 (800) 822-7933  
2-3365 Mainway, Burlington, ON L7M 1A6, Canada | 1 (800) 822-7933

©2026 Fluidra. Tous droits réservés. Les marques et les noms commerciaux utilisés dans le présent document sont la propriété de leurs détenteurs respectifs.

H0919500\_REVC



**Intertek**  
CERTIFIÉ ETL, EST  
CONFORME À LA  
NORME  
UL STD 676  
CERTIFIÉ SELON  
CAN/CSA C22.2 No.89



## Luz LED sin nicho Infinite WaterColors™ con QuickConnect

Este producto requiere AquaLink® RS (versión Y o posterior)  
o AquaLink EDGE™

En este manual, se incluyen instrucciones esenciales de instalación e inicio. Si desea más información sobre el funcionamiento y la resolución de problemas, escanee el código QR con su teléfono o visite [jandy.com](http://jandy.com).



### **⚠ ADVERTENCIA**

**PARA SU SEGURIDAD:** La instalación y el servicio de este producto deben estar a cargo de un contratista cualificado y matriculado para trabajar con equipamientos para piscinas en la jurisdicción en la que se instalará el producto, donde existan tales requisitos estatales o locales. La persona encargada del mantenimiento debe ser profesional y contar con experiencia suficiente en la instalación y el mantenimiento de equipos para piscinas, para que todas las instrucciones de este manual se puedan seguir con exactitud. Antes de instalar este producto, lea y siga todos los avisos de advertencia y todas las instrucciones que se proporcionan con el producto. Si no se siguen los avisos de advertencia o las instrucciones, es posible que se produzcan daños materiales, lesiones personales o la muerte. Una instalación u operación incorrectas pueden anular la garantía.



La instalación o la operación inadecuadas pueden generar peligros eléctricos no deseados que pueden provocar lesiones graves, daños materiales o la muerte. **NO MODIFIQUE ESTE EQUIPO.**

**ATENCIÓN, INSTALADOR:** Este manual contiene información importante acerca de la instalación, la operación y la utilización seguras de este producto. Esta información debe ser entregada al dueño u operador de este equipo.

## Table of Contents

<b>Section 1. Instrucciones importantes de seguridad.....</b>	<b>18</b>	3.1 Cableado al sistema de control AquaLink RS® .....	22
<b>Section 2. Instalación .....</b>	<b>19</b>	3.2 Calibre y longitud de los cables.....	22
2.1 Preparación de la luminaria para su instalación.....	19	3.3 Instalación de catorce (14) voltios .....	24
2.2 Instalación de las luminarias .....	20	<b>Section 4. Conectando con Automatización .....</b>	<b>25</b>
2.3 Sustitución de una luz LED QuickConnect .....	21	4.1 Conectado a AquaLink RS .....	25
2.4 Instalaciones en áreas húmedas .....	22	4.2 Conectado a AquaLink EDGE™ .....	25
<b>Section 3. Opciones de cableado del controlador .....</b>	<b>22</b>	<b>Section 5. Preparación para el invierno....</b>	<b>25</b>
		<b>Section 6. Contenido adicional en línea....</b>	<b>26</b>

## Declaración de cumplimiento normativo en conformidad con la FCC

Este dispositivo cumple con la Parte 15 de las Normas de la FCC. El funcionamiento depende de dos condiciones:

1. Este dispositivo no debe provocar interferencias nocivas.
2. Este dispositivo debe aceptar cualquier interferencia recibida, incluidas las interferencias que puedan provocar un funcionamiento indeseado.

### PRECAUCIÓN

Cualquier cambio o modificación no aprobado expresamente por la parte responsable del cumplimiento puede anular el permiso del usuario para utilizar el equipo.

**NOTA:** Este equipo se sometió a pruebas y se determinó que cumple con los límites de dispositivo digital de Clase B, en conformidad con la Parte 15 de las Normas de la FCC. Estos límites están diseñados para proporcionar una protección razonable contra interferencias en una instalación residencial. Este equipo genera, usa y puede irradiar energía de radiofrecuencia y, si no se instala y usa de conformidad con las instrucciones, puede provocar interferencias nocivas para las comunicaciones por radio. Sin embargo, no se garantiza la ausencia de interferencias en una instalación en particular. Si este equipo provoca interferencias nocivas para la recepción de radios o televisores (lo que se puede determinar encendiendo y apagando el equipo), se recomienda al usuario intentar corregir la interferencia aplicando uno o más de los siguientes métodos:

- Reorientar o reubicar la antena de recepción.
- Aumentar la separación entre el equipo y el receptor.
- Conectar el equipo a una toma de corriente que no esté en el mismo circuito en el que está conectado el receptor.
- Consultar al distribuidor para obtener la ayuda de un técnico experimentado en radio y televisión.

### Section 1. Instrucciones importantes de seguridad

## INSTRUCCIONES IMPORTANTES DE SEGURIDAD SOBRE RIESGO DE INCENDIO, DESCARGA ELÉCTRICA O LESIONES PERSONALES LEA Y SIGA TODAS LAS INSTRUCCIONES

La luz LED sin nicho Jandy Infinite WaterColors está diseñada para recibir alimentación y funcionar con el controlador de luz LED Jandy Infinite WaterColors o el sistema AquaLink EDGE™; las luces no funcionarán cuando se alimenten desde un transformador alternativo. Siga todas las instrucciones de instalación y funcionamiento que vienen con este producto, así como con el controlador de luz LED Jandy Infinite WaterColors (modelo: IWCLC300W) o el sistema AquaLink EDGE™.

Cuando se instala y usa este equipo eléctrico, se deben respetar siempre algunas precauciones básicas de seguridad, incluidas las siguientes:

**⚠ PELIGRO**

**RIESGO DE DESCARGA ELÉCTRICA O ELECTROCUCIÓN.** Un electricista matriculado o certificado debe instalar esta luz sumergida de acuerdo con el National Electrical Code® y los códigos y las ordenanzas locales aplicables. En Canadá, se debe cumplir con el Canadian Electrical Code y todos los códigos y ordenanzas locales aplicables. La instalación incorrecta crea un riesgo eléctrico que puede provocar la muerte o lesiones graves a los usuarios de la piscina o del hidromasaje, a los instaladores o a otras personas debido a descargas eléctricas, y también puede producir daños materiales. Lea y siga las instrucciones específicas que figuran a continuación.

**⚠ ADVERTENCIA**

Antes de instalar esta luz sumergida, lea y siga todos los avisos de advertencia y todas las instrucciones que se proporcionan con la luz. Si no se siguen las advertencias de seguridad y las instrucciones, podrían producirse lesiones graves, la muerte o daños materiales.

**RIESGO DE DESCARGA ELÉCTRICA O ELECTROCUCIÓN** que puede causar lesiones graves o la muerte. Las luces LED sin nicho Jandy Infinite WaterColors solo están disponibles para alimentación de CA de 14 voltios. Para la conexión al suministro eléctrico, use únicamente el controlador de luz LED Jandy Infinite WaterColors (modelo: IWCLC300W) o el sistema AquaLink EDGE™, que es una fuente de alimentación de bajo voltaje aislante con salida sin conexión a tierra, evaluada y listada por un laboratorio de pruebas reconocido a nivel nacional (NRTL, por sus siglas en inglés) para uso en piscinas.

**⚠ PRECAUCIÓN**

Salvo cuando las luces LED sumergidas sin nicho Jandy se instalen en un área de la piscina que no se use para nadar y la lente esté bien protegida para evitar que cualquier persona entre en contacto con ella, la luz debe instalarse en una pared o abajo de la piscina, y la parte superior de la abertura de la lente no debe estar a menos de 4 in (10,2 cm) por debajo del nivel normal de agua de la piscina.

Las luces LED sumergidas Infinite WaterColors de Jandy no se pueden reparar y, por lo tanto, no contienen piezas sujetas a servicio técnico. Para evitar riesgos de daños materiales y lesiones, no se debe intentar reparar la luz si falla. En cambio, debe reemplazarse todo el conjunto de la luz.

**GUARDE ESTAS INSTRUCCIONES****Section 2. Instalación****⚠ ADVERTENCIA****RIESGO DE DESCARGA ELÉCTRICA O ELECTROCUCIÓN.**

Un electricista matriculado o certificado, o una persona capacitada en el servicio técnico de piscinas, deben instalar esta luz sumergida de acuerdo con el National Electrical Code® (o el Canadian Electrical Code en Canadá) y todos los códigos y las ordenanzas locales aplicables. La instalación incorrecta crea un riesgo eléctrico que puede provocar la muerte o lesiones graves a los usuarios de la piscina o del hidromasaje, a los instaladores o a terceros debido a descargas eléctricas, y también puede producir daños materiales.

Siempre desconecte la alimentación de la luz desde el disyuntor antes de la instalación o reparación. Si no lo hace, el encargado de mantenimiento, los usuarios de la piscina o del hidromasaje u otras personas podrían morir o sufrir lesiones graves debido a una descarga eléctrica.

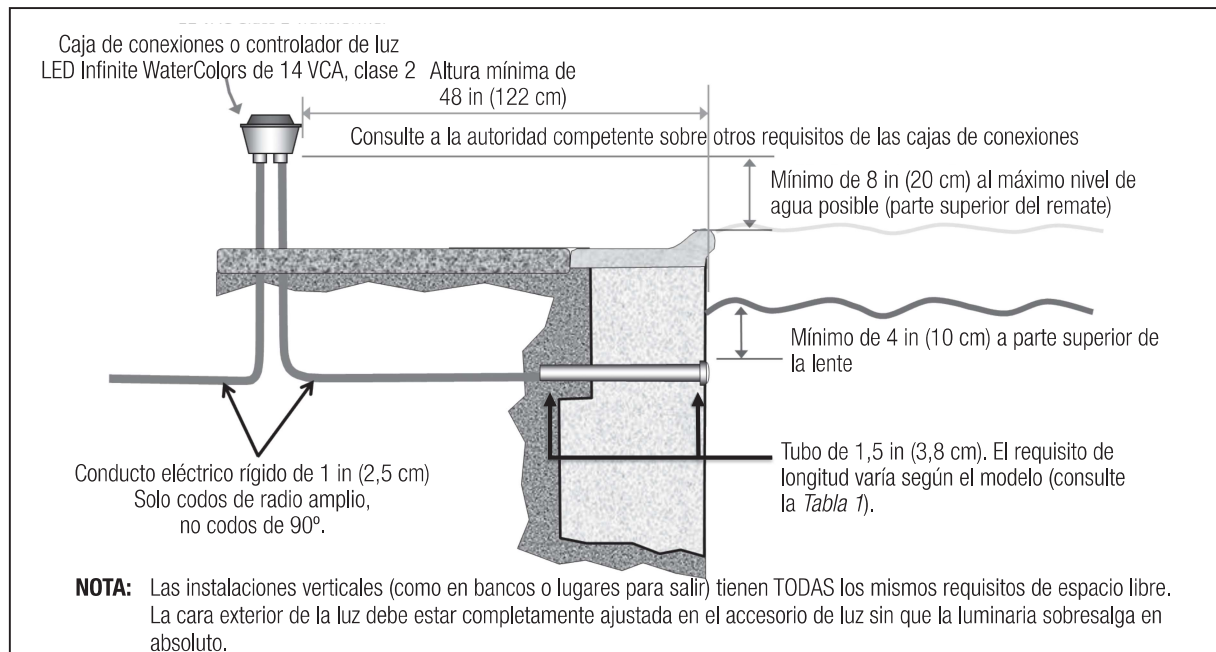
**NOTA:** Las luces sin nicho Jandy son de bajo voltaje y no tienen metal expuesto; por lo tanto, no requieren un cable de conexión a tierra ni de conexión equipotencial.

**2.1 Preparación de la luminaria para su instalación**

**NOTA:** El electricista debe ejecutar una serie de pasos antes de instalar la luminaria. Consulte la *Figura 1*.

Verifique que la piscina cumpla los requisitos de la versión actual del National Electrical Code® (o el Canadian Electrical Code en Canadá) y todos los códigos y las ordenanzas locales. Antes de instalar la luz sumergida, un electricista matriculado o certificado debe instalar el sistema eléctrico de un modo que satisfaga o supere los requisitos mencionados. Estos son algunos de los requisitos del National Electrical Code que se deben cumplir en los sistemas eléctricos de piscinas:

1. La caja de conexiones o el controlador de luces LED Infinite WaterColors es apto para conexiones de conducto directas a las luces y debe ubicarse a un mínimo de ocho (8) in (20 cm) sobre el nivel del agua, cuatro (4) in (10 cm) sobre el nivel del suelo y 48 in (1,2 m) del borde de la piscina, o según lo exija el código local. Consulte la *Figura 1*.
2. Se debe instalar un tubo de 1,5 in (3,8 cm) por la viga de unión, seguido de un conducto de 1 in (2,5 cm) para el cable, usando codos de radio amplio solamente para los giros. No utilice codos de 90°. Se recomienda encarecidamente el uso de un tubo de 1,5 in (3,8 cm) en todo el ancho de la viga de unión; sin embargo, el largo mínimo para cada luz se especifica en la *Tabla 1*.



**Figura 1. Instalación de la luz LED Jandy con accesorio estándar plástico de 1,5 in (3,8 cm)**

3. Debe instalarse un accesorio plástico estándar de pared/retorno de 1,5 in (3,8 cm) para que el borde superior de la lente de la luz sumergida esté a un mínimo de 4 in (10,2 cm) por debajo de la superficie del agua en la piscina. Consulte la *Figura 1*.

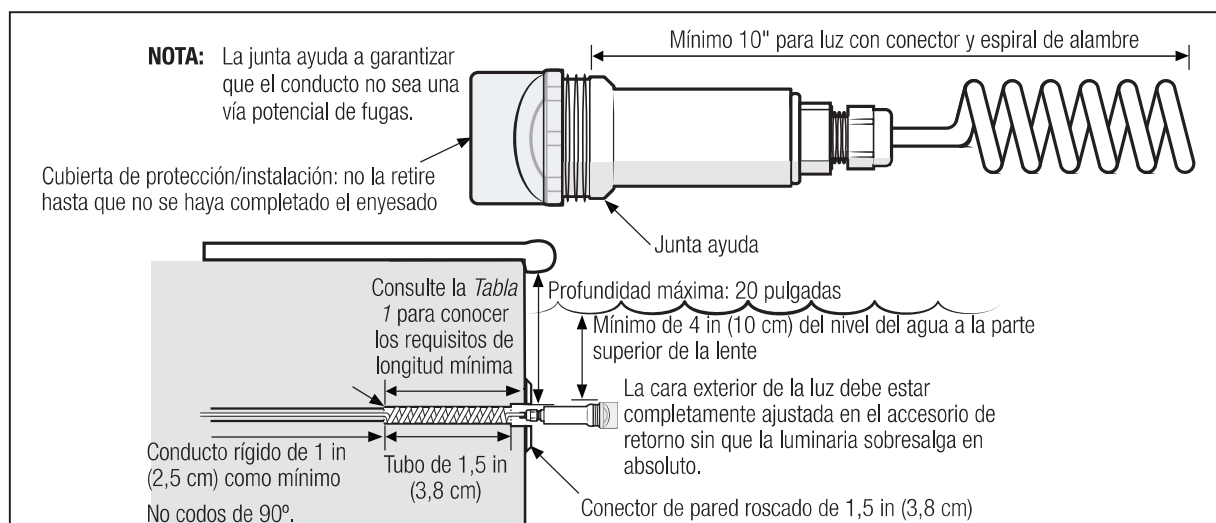
**NOTA:** Para obtener resultados óptimos de iluminación, se recomienda colocar las luces a 12-18 in (30-45 cm) por debajo de la línea de agua.

Para asegurarse de que el sistema eléctrico de la piscina cumpla todos los requisitos correspondientes, el electricista también debe comunicarse con el departamento de construcción local.

Use la siguiente tabla para determinar la longitud adecuada del tubo de cada instalación.

VATIOS	LONGITUD MÍNIMA DEL TUBO DE 1,5 in (3,8 cm)
15W/25W	10 in (25 cm)
Opciones de longitud del cable: 100 ft y 200 ft (30 m y 60 m)	

**Tabla 1. Longitud mínima del tubo de 1,5 in (3,8 cm) para la luz LED Jandy**



**Figura 2. Instalación estándar con accesorio de pared para piscina de 1,5 in (3,8 cm)**

## 2.2 Instalación de las luminarias

Las luces LED Jandy Infinite WaterColors con QuickConnect incluyen un conector que no requiere el uso de herramientas para facilitar el mantenimiento y un cable en espiral que puede estirarse por encima de la línea de flotación (hasta 22") para facilitar la extracción de la luminaria. El conector QuickConnect

cuenta con doble sellado, es completamente impermeable y no contiene piezas que requieran mantenimiento.

**NOTA:** Lleve a cabo estos pasos únicamente después de cumplir los requisitos del sistema eléctrico. No deje la luminaria QuickConnect expuesta a la luz solar directa, ya que esto puede hacer que las espiras del cable se debiliten y pierdan su forma.

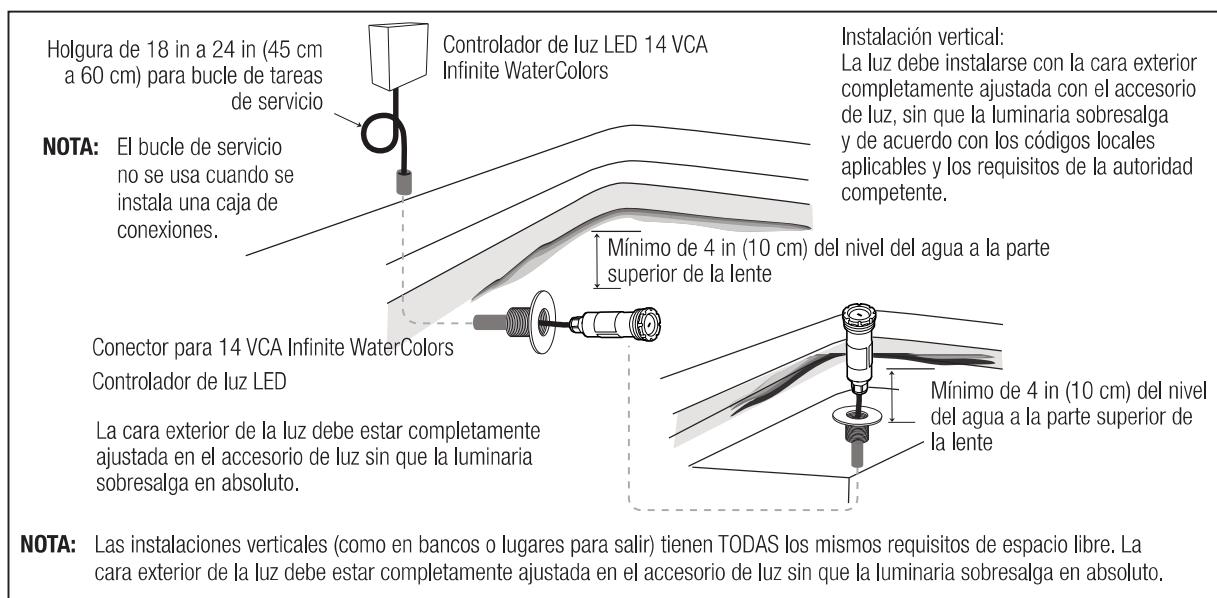
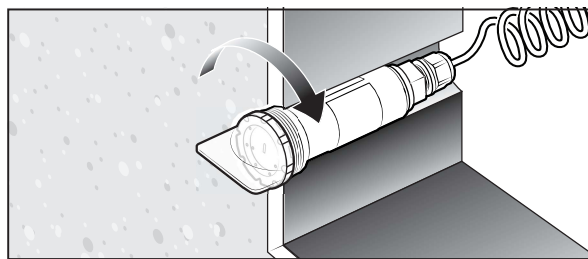
- Mantenga colocada la tapa de protección para proteger la luz durante la instalación.
- Pase el cable eléctrico a través de la salida de la tubería del accesorio de pared, hacia el interior del conducto y hasta la ubicación del transformador de la piscina.
- Corte el cable entre 18" y 24" más allá de la longitud necesaria para alcanzar el transformador, a fin de dejar un bucle de servicio (margen para mantenimiento).
- Tire suavemente de la luminaria hasta que sienta tensión y luego deténgase. Esto indica que las espiras están entrando en el accesorio de pared.
- Aplique lubricante de silicona Teflon™ a las roscas para mejorar el ajuste. No aplique cinta de teflón.
- Sujete firmemente las espiras, insértelas en el accesorio de pared y gírelas en el sentido de las agujas del reloj hasta que encajen completamente.
- Con la herramienta de instalación que se incluye, enrosque la luz en el accesorio de pared hasta que esté ajustada. La cara exterior de la luz debe estar completamente al ras del accesorio de

retorno. Después de terminar el trabajo, entregue al propietario de la piscina una llave como mínimo.

- Retire la tapa protectora después de completar la construcción (incluido el emplastado en las piscinas gunitadas). **No emplaste la piscina sin la tapa de protección.**

**NOTA:** Cuando se usa un conector MIP de 1-1/2 in (3,8 cm) en la parte posterior de un accesorio de pared SP-1022 o SP-1408, el interior de los conectores MIP Spears y Dura es demasiado pequeño para usarse con las luces LED sin nicho Infinite WaterColors de Jandy.

- Instale una tapa estética si lo desea.

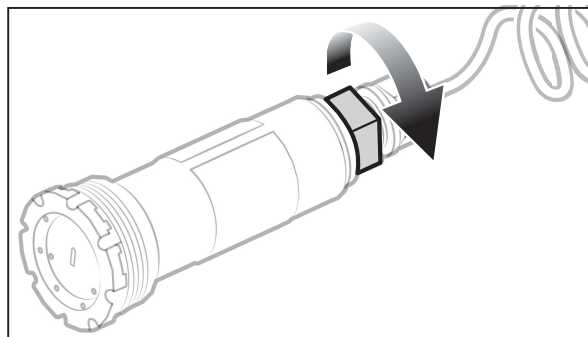


**Figura 3. Instalación estándar con accesorio de pared para piscina de 1,5 in (3,8 cm)**

### 2.3 Sustitución de una luz LED QuickConnect

Las luces de repuesto están disponibles en 15 W (IWC15WQC) y 25 W (IWC25WQC). Los cables de alimentación no son intercambiables entre distintos modelos de luces.

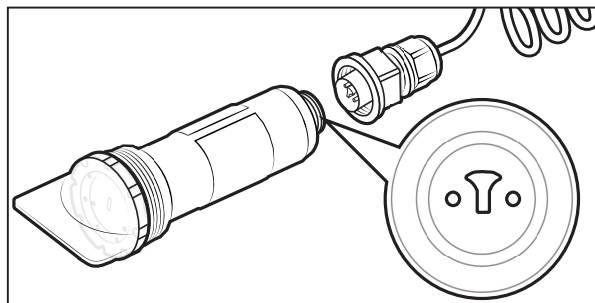
- Use la herramienta de extracción de luz para desenroscar la luz del aplique de pared.
- Una vez retirada del aplique de pared, coloque la luz por encima del nivel del agua.
- Gire el conector QuickConnect en sentido contrario a las agujas del reloj hasta que se afloje por completo y tire de la luz para desconectarla del conector QuickConnect (*consulte la Figura 4*). No utilice herramientas para girar el conector. Gire únicamente con la mano.



**Figura 4. Desconectar luz**

- Alinee los pasadores y la llave en la luz de repuesto y empuje la luz al interior del conector. Gire el conector QuickConnect en el sentido de las agujas del reloj, a mano, hasta que quede completamente ajustado (*consulte la Figura 5*).

**NOTA:** La banda roja en las roscas del conector QuickConnect desaparecerá cuando el conector esté completamente ajustado.



**Figura 5. Volver a conectar la luz**

5. Aplique lubricante de silicona con teflón a las roscas de la luz para que sea más fácil enroscarla. No aplique cinta de teflón.

6. Enrolle el cable con la mano comprimiéndolo y luego inserte con cuidado el cable enrollado nuevamente en el aplicador de pared.

**NOTA:** Es posible que las espiras requieran un ajuste cuidadoso y que se les vuelva a dar forma para restaurar su configuración original antes de reinsertarlas en el accesorio de pared.

7. Usando la cubierta de protección/instalación incluida, enrosque la luz en el aplicador de pared hasta que quede ajustada y la cara de la luz quede al ras con el accesorio de retorno.

8. Retire la cubierta de instalación/protección. Instale una cubierta con fines estéticos si lo desea.

### 2.4 Instalaciones en áreas húmedas

Para la iluminación de áreas húmedas a menos de 10 ft (3,05 m) de una piscina o hidromasaje, la luminaria debe instalarse en áreas que no estén sujetas al contacto accidental de personas, mascotas, vehículos y tráfico peatonal, salvo que esté correctamente protegida.

## Section 3. Opciones de cableado del controlador

### ⚠ WARNING

**RIESGO DE DESCARGA ELÉCTRICA QUE PUEDE CAUSAR LESIONES GRAVES O LA MUERTE:**

Antes de intentar realizar cualquier instalación o servicio técnico, asegúrese de que se haya desconectado o apagado en el disyuntor toda la electricidad que va al circuito que le suministra energía eléctrica al sistema. Todo el cableado debe realizarse de acuerdo con el Código Eléctrico Nacional® (National Electrical Code®, NEC), NFPA70. En Canadá, se debe seguir el Código Eléctrico Canadiense (Canadian Electrical Code, CEC), CSA C22.1. Se deben seguir todos los códigos y reglamentaciones de instalación locales aplicables.

La luz LED sin nicho Jandy Infinite WaterColors está diseñada para recibir alimentación y funcionar con el controlador de luz LED Jandy Infinite WaterColors (IWCLC300W) hasta 240 W o el módulo de luz Jandy Infinite WaterColors (IWCLMODULE) hasta 150 W cuando se combina con AquaLink EDGE. Se requiere AquaLink RS (versión Y o posterior) o AquaLink EDGE para su funcionamiento; las luces no funcionarán cuando se alimenten desde un transformador alternativo. Follow all installation and operating instructions that accompany this product, as well as the Jandy Infinite WaterColors LED Light Controller (Model: IWCLC300W).

**NOTA:** Siempre tenga en cuenta la longitud del cable cuando calcule el voltaje de entrada del transformador. El tendido máximo de servicio entre el transformador y las luces no debe superar los 200 ft (60 m) de longitud, independientemente de que haya una caja de conexiones.

En la medida en que lo permitan los códigos de instalación locales vigentes en la jurisdicción de instalación y la capacidad del equipo eléctrico, se podrá controlar más de una luz Jandy con un controlador de luz LED Infinite WaterColors. **AquaLink® RS permite manejar hasta 4 controladores de luz Infinite WaterColors en cada sistema. Cada controlador permite comunicarse con un máximo de 16 luces de 15 W y 9 luces de 25 W. Asegúrese de que la potencia de luz combinada NO supere los 240 W por controlador.**

### 3.1 Cableado al sistema de control AquaLink RS®

### ⚠ ADVERTENCIA

**RIESGO DE DESCARGA ELÉCTRICA O ELECTROCUCIÓN**

que puede causar lesiones graves o la muerte. Las luces LED sin nicho Infinite WaterColors de Jandy solo están disponibles para alimentación de CA de 14 voltios. Para el suministro eléctrico, use solamente el controlador de luces LED Infinite WaterColors de Jandy, que es una fuente de alimentación de bajo voltaje aislante con salida sin conexión a tierra, evaluada y homologada por un Laboratorio de pruebas reconocido a nivel nacional (NRTL) para su uso con luminarias sumergibles en piscinas.

Las luces LED sin nicho Infinite WaterColors de Jandy deben controlarse con el controlador de luces LED Infinite WaterColors y el sistema de automatización AquaLink® RS (revisión Y o posterior).

Consulte la *Figura 6 y 7* para conectar las luces LED Infinite WaterColors al controlador de luces LED. Consulte el manual del controlador de luces LED Infinite WaterColors para realizar la conexión al sistema de automatización AquaLink RS.

1. Destape una abertura en el compartimiento correcto.
2. Pase la luz de bajo voltaje por un conector de conducto y sujétela al gabinete.
3. Conecte los cables de bajo voltaje (el cable negro al cable anaranjado y el cable blanco al cable anaranjado). Consulte la *Figura 6 o 7*.

### 3.2 Calibre y longitud de los cables

**⚠ PRECAUCIÓN**

Las luces LED sumergidas sin nicho Jandy son de bajo voltaje. Si el calibre y longitud de los cables son incorrectos, puede verse afectado el funcionamiento de estos productos. Siga las pautas que figuran debajo para determinar el uso correcto y lograr el desempeño óptimo de las luces.

El voltaje de salida del controlador de luces LED Infinite WaterColors es de 14 VCA para adaptarse a las caídas de voltaje en cables de hasta 200 ft (60 m). Las instalaciones no deben superar los 200 ft (60 m).

**NOTA:** Cada disposición de colores tiene un consumo de energía ligeramente distinto.

El controlador de iluminación es un modelo compatible con AquaLink RS o AquaLink RS/EDGE, lo cual se puede determinar buscando una antena o contando los LED de estado en la placa de circuito impreso (PCBA).

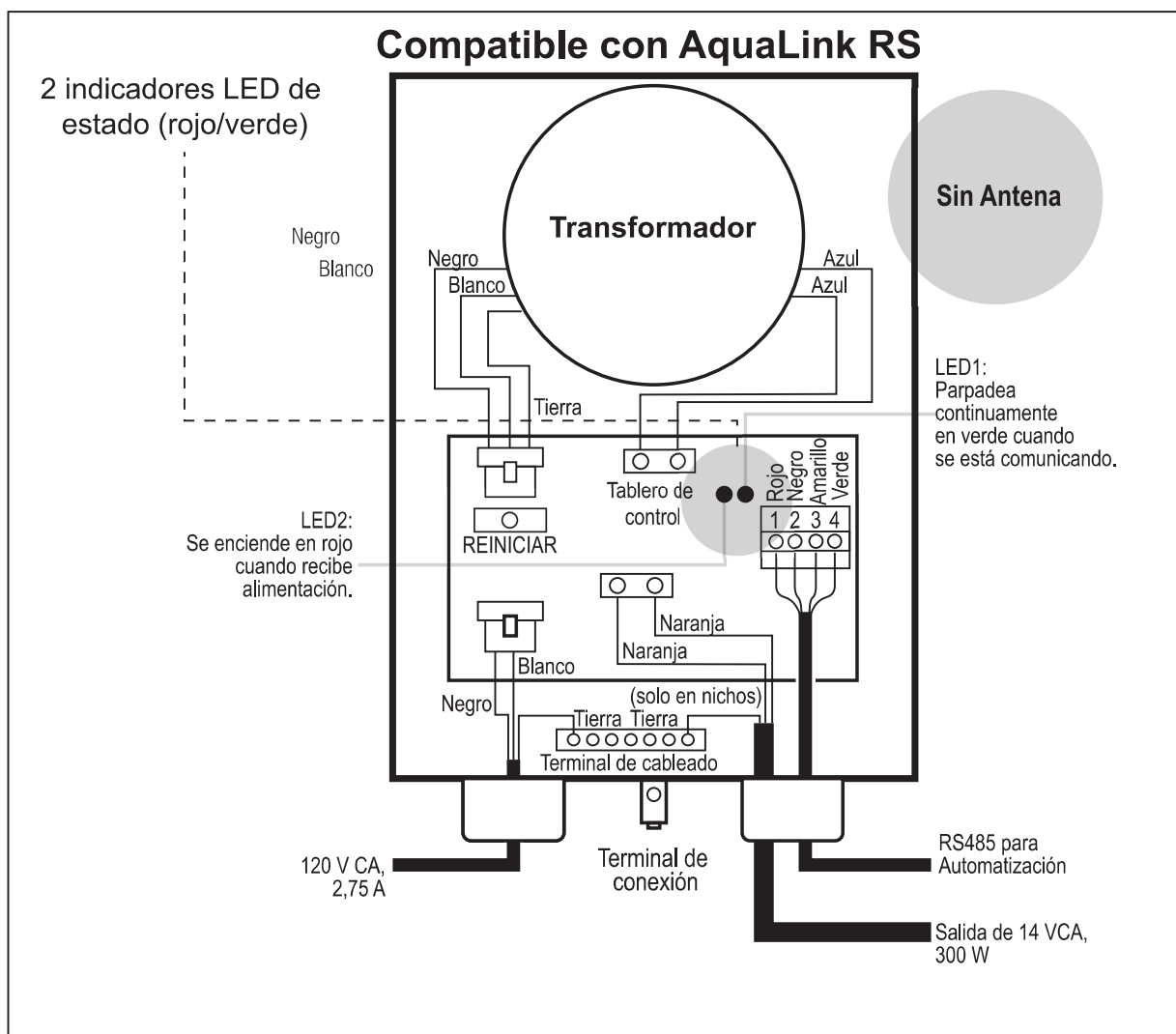


Figura 6. Cableado de las luces LED al controlador de luces LED Infinite WaterColors - Compatible con AquaLink RS

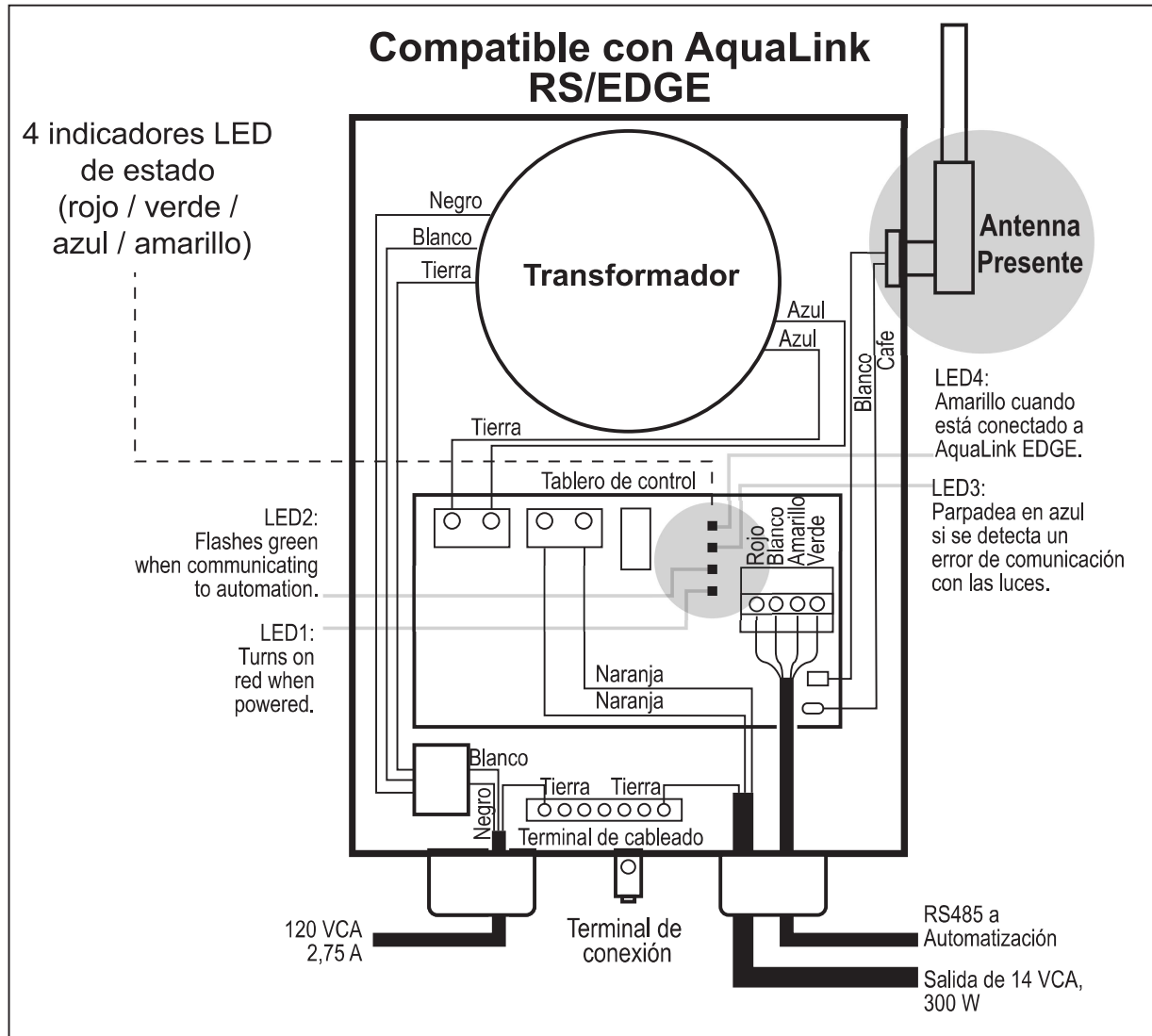


Figura 7. Wiring LED Lights to the Infinite WaterColors LED Light Controller - AquaLink RS/EDGE Compatible

### 3.3 Instalación de catorce (14) voltios

El controlador de luces LED Infinite WaterColors o el módulo de luces Infinite WaterColors (cuando se combina con AquaLink EDGE) es necesario para alimentar las luces Infinite WaterColors.

**NOTA:** Para lograr un desempeño óptimo, no supere el factor de carga especificado en las instrucciones que se incluyen con el transformador.

Para garantizar la máxima seguridad, utilice únicamente el controlador de luces LED Jandy Infinite WaterColors (Modelo: IWCLC300W) o el módulo de luces Jandy Infinite WaterColors (Modelo: IWCLMODULE) cuando se combine con AquaLink EDGE.

**NOTA:** Las luces **LED Jandy Infinite WaterColors** no funcionarán correctamente con atenuadores de luces. No conecte las luces Jandy a ningún circuito con atenuador.

**NO CONECTE DOS O MÁS FUENTES DE ALIMENTACIÓN EN PARALELO.**

### ⚠ PRECAUCIÓN

Para prevenir el riesgo de incendios que podrían causar daños materiales y para garantizar un desempeño óptimo, no supere el factor de carga especificado en las instrucciones del fabricante del transformador.

## Section 4. Conectando con Automatización

Este producto requiere conexión a Jandy AquaLink® RS (versión Y o posterior) o AquaLink EDGE™.

La programación varía según el sistema de automatización utilizado.

Para obtener información sobre las funciones y la configuración de las luces con la aplicación iAquaLink®, consulte el manual en línea.

### 4.1 Conectado a AquaLink RS

#### 4.1.1 Configurar luces

1. Abra la aplicación en su dispositivo.
2. En la página My Systems (Mis sistemas), seleccione su piscina.
3. En la página de inicio, elija el icono del sistema de engranajes en la parte superior derecha y seleccione System Setup (Configuración del sistema).

#### • Asignar luces

**NOTE:** En los sistemas AquaLink® RS con varios controladores de luces LED Jandy® Infinite WaterColors™, asegúrese de que solo un controlador esté encendido a la vez al asignar las luces para minimizar el riesgo de interferencias entre las unidades.

1. En la página System Setup (Configuración del sistema), seleccione Light Setup (Configuración de luces) y Assign Lights (Asignar luces).
2. En la ventana emergente Assign Lights (Asignar luces), elija continuar con el proceso.
3. En la página Light Zone Setup (Configuración de zona de luz), seleccione una luz para moverla a otra zona. La luz seleccionada parpadeará en el color de la zona a la que esté asignada actualmente. Sigue el resto de las instrucciones en la aplicación.

**NOTA:** Los colores de zona predeterminados incluyen: zona 1 (verde), zona 2 (blanco), zona 3 (rojo) y zona 4 (azul).

Al salir de la página Light Zone Setup (Configuración de zona de luz), las luces se apagarán.

Las luces deben asignarse a una zona para cambiar el nombre de la zona.

#### • Nombrar zonas de luces

1. Vaya a System Setup (Configuración del sistema) > Light Setup (Configuración de luz) > Zone Name (Nombre de zona).
2. En la ventana emergente Edit Zone Name (Editar nombre de zona), ingrese el nombre de la zona y elija OK (Aceptar).

#### 4.1.2 Encender/apagar luces

1. Abra la aplicación en su dispositivo.
2. En la página My Systems (Mis sistemas), seleccione su piscina.
3. Seleccione la página del equipo.
4. Encienda/apague las luces de zona tocando el interruptor a la derecha de la zona deseada.

**NOTA:** La posibilidad de encender/apagar las zonas de luz solo está disponible en la aplicación.

#### 4.1.3 Elegir colores

1. Abra la aplicación en su dispositivo.

2. En la página My Systems (Mis sistemas), seleccione su piscina.

#### • Seleccionar colores personalizados

1. Vaya a la página del equipo.
2. En dicha página, elija la zona cuyo color desee cambiar.
3. Desde esa página de zonas, seleccione Custom Color (Color personalizado).
4. Elija el color que desee de la rueda de colores.
5. Seleccione Apply (Aplicar) para aplicar el color personalizado a la zona.

#### • Colores preestablecidos

1. Vaya a la página del equipo y seleccione la zona cuyo color desee cambiar.
2. Después de seleccionar la zona, elija un color de la lista de colores preestablecidos para aplicarlo a dicha zona.

#### • Programas de colores preestablecidos

1. En la página del equipo, elija la zona cuyo color desee cambiar.
2. Después de seleccionar la zona, elija un programa de colores preestablecidos de la lista para aplicarlo a dicha zona.

#### 4.1.4 Ajustar brillo

1. En la página del equipo, seleccione el icono del sol de la zona donde desee ajustar el brillo.
2. Mueva la barra deslizante hacia arriba o hacia abajo con el dedo y haga clic en Apply (Aplicar) para cambiar el brillo.

### 4.2 Conectado a AquaLink EDGE™

#### 4.2.1 Configurar luces

Acceda al centro de configuración de iluminación en la pantalla EDGE. Siga las instrucciones en pantalla para configurar las luces. Los controles de iluminación están agrupados por espacios.

#### 4.2.2 Encender/apagar luces

Para encender las luces, acceda al espacio y seleccione el grupo de luces. Siga las instrucciones en pantalla para obtener el efecto deseado.

#### 4.2.3 Elegir colores

Para seleccionar los colores, acceda al espacio y seleccione el grupo de luces. Siga las instrucciones en pantalla para lograr el efecto deseado.

## Section 5. Preparación para el invierno

Consulte a un profesional de piscinas local para conocer qué debe hacer con la piscina durante el invierno. NUNCA debe quitarse el agua de la piscina sin verificar los niveles freáticos.

No mantenga el nivel de agua al nivel de la luz en el invierno. Asegúrese de que el nivel del agua esté a un mínimo de 4 in (10 cm) o más por encima o por debajo de la luz según el resto de requisitos de preparación para el invierno de la piscina.

## Section 6. Contenido adicional en línea

Para obtener información sobre lo siguiente, consulte el manual en línea:

- Aspectos generales del producto
- Contenido del producto
- Configuración de OneTouch
- Control de luces con Amazon Alexa
- Resolución de problemas

---

Una marca de Fluidra | Jandy.com | Jandy.ca  
2882 Whiptail Loop # 100, Carlsbad, CA 92010, USA | 1.800.822.7933  
2-3365 Mainway, Burlington, ON L7M 1A6, Canada | 1.800.822.7933

©2026 Fluidra. Todos los derechos reservados. Las marcas registradas y los nombres comerciales utilizados en el presente documento son propiedad de sus respectivos dueños.

H0919500\_REVC

